



MIAMI-DADE COUNTY
PRODUCT CONTROL SECTION

11805 SW 26 Street, Room 208
Miami, FL 33175

T (786) 315-2590 F (786) 315-2599

DEPARTMENT OF REGULATORY AND ECONOMIC RESOURCES (RER)
BOARD AND CODE ADMINISTRATION DIVISION

www.miamidade.gov/economy

NOTICE OF ACCEPTANCE (NOA)

CGI Windows and Doors, Inc.
3780 W 104th Street
Hialeah, FL 33018

SCOPE:

This NOA is being issued under the applicable rules and regulations governing the use of construction materials. The documentation submitted has been reviewed and accepted by Miami-Dade County RER - Product Control Section to be used in Miami-Dade County and other areas where allowed by the Authority Having Jurisdiction (AHJ).

This NOA shall not be valid after the expiration date stated below. The Miami-Dade County Product Control Section (In Miami-Dade County) and/or the AHJ (in areas other than Miami-Dade County) reserve the right to have this product or material tested for quality assurance purposes. If this product or material fails to perform in the accepted manner, the manufacturer will incur the expense of such testing and the AHJ may immediately revoke, modify, or suspend the use of such product or material within their jurisdiction. RER reserves the right to revoke this acceptance, if it is determined by Miami-Dade County Product Control Section that this product or material fails to meet the requirements of the applicable building code.

This product is approved as described herein, and has been designed to comply with the Florida Building Code, including the High Velocity Hurricane Zone.

DESCRIPTION: Series "238 Flange Frame Clipped Mullion -L.M.I.

APPROVAL DOCUMENT: Drawing No. MD-MUL238, titled "238 Flange Frame Clipped Mullion", sheets 1 thru 7 of 7, dated 05/14/2020, prepared by manufacturer, signed and sealed by Anthony Lynn Miller, P.E., bearing the Miami-Dade County Product Control Revision stamp with the Notice of Acceptance number and expiration date by the Miami-Dade County Product Control Section.

MISSILE IMPACT RATING: Large and Small Missile Impact Resistant

LABELING: Each unit shall bear a permanent label with the manufacturer's name or logo, city, state, model/series, and following statement: "Miami-Dade County Product Control Approved", unless otherwise noted herein.

RENEWAL of this NOA shall be considered after a renewal application has been filed and there has been no change in the applicable building code negatively affecting the performance of this product.

TERMINATION of this NOA will occur after the expiration date or if there has been a revision or change in the materials, use, and/or manufacture of the product or process. Misuse of this NOA as an endorsement of any product, for sales, advertising or any other purposes shall automatically terminate this NOA. Failure to comply with any section of this NOA shall be cause for termination and removal of NOA.

ADVERTISEMENT: The NOA number preceded by the words Miami-Dade County, Florida, and followed by the expiration date may be displayed in advertising literature. If any portion of the NOA is displayed, then it shall be done in its entirety.

INSPECTION: A copy of this entire NOA shall be provided to the user by the manufacturer or its distributors and shall be available for inspection at the job site at the request of the Building Official.

This NOA **revises NOA No. 17-1018.07** and consists of this page 1 and evidence pages E-1 and E-2, as well as approval document mentioned above.

The submitted documentation was reviewed by **Sifang Zhao, P.E.**



S.Z.
09/24/2020

NOA No. 20-0610.08
Expiration Date: April 26, 2022
Approval Date: September 24, 2020
Page 1

CGI Windows and Doors, Inc.

NOTICE OF ACCEPTANCE: EVIDENCE SUBMITTED

1. EVIDENCE SUBMITTED UNDER PREVIOUS NOA's

A. DRAWINGS

1. Manufacturer's die drawings and sections. *(Submitted under NOA#02-0123.07)*
2. Drawing No. M95-13, titled "Mullion Elevations and Details", sheets 1, 2, 2.1, 3, 3.1, 4 and 5 of 5, dated 11/25/95, with revision H dated 09/28/17, prepared by Al-Farooq Corporation, signed and sealed by Javad Ahmad, P.E..

B. TESTS

1. Test reports on: 1) Uniform Static Air Pressure Test, Loading per FBC TAS 202-94
2) Large Missile Impact Test per FBC, TAS 201-94
3) Cyclic Wind Pressure Loading per FBC, TAS 203-94
along with marked-up drawings and installation diagram of aluminum fixed windows mullied together, prepared by Hurricane Test Laboratory, LLC, Test Report No. **HTL-0080-0105-08**, dated 03/26/08, signed and sealed by Vinu J. Abraham, P.E. *(Submitted under NOA#08-0429.04)*
2. Test reports on: 1) Uniform Static Air Pressure Test, Loading per FBC PA-202-94 along with marked-up drawings and installation diagram of an aluminum fixed window, prepared by Hurricane Engineering & Testing Inc., Test Report No. **HETI-96-525**, dated 02/12/95 signed and sealed by Hector Medina, P.E. *(Submitted under NOA#02-0123.07)*
3. Test reports on: 1) Large Missile Impact Test, Loading per FBC PA 201-94 along with marked-up drawings and installation diagram of an aluminum fixed window, prepared by Hurricane Engineering & Testing Inc., Test Report No. **HETI-96-525**, dated 10/30/95, signed and sealed by Timothy S. Marshall, P.E. *(Submitted under NOA#02-0123.07)*

C. CALCULATIONS

1. Anchor verification calculations and structural analysis, complying with FBC 6th Edition (2017), dated September 27, 2017, prepared by Al-Farooq Corporation, signed and sealed by Javad Ahmad, P.E.
2. Glazing complies with **ASTM E1300-09**

D. QUALITY ASSURANCE

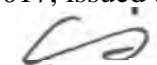
1. Miami-Dade Department of Regulatory and Economic Resources (RER).

E. MATERIAL CERTIFICATIONS

1. None.

F. STATEMENTS

1. Statement letter of conformance, complying with FBC 5th Edition (2014), with FBC 6th Edition (2017) and of no financial interest, dated September 27, 2017, issued by Al-Farooq Corporation, signed and sealed by Javad Ahmad, P.E.



Sifang Zhao, P.E.
Product Control Examiner
NOA No. 20-0610.08
Expiration Date: April 26, 2022
Approval Date: September 24, 2020

CGI Windows and Doors, Inc.

NOTICE OF ACCEPTANCE: EVIDENCE SUBMITTED

G. OTHERS

1. Notice of Acceptance No. 17-0112.03, issued to CGI Windows & Doors for their Series Clipped, Extruded Aluminum Tube Mullion with #373 Framing Member – L.M.I., approved on 03/30/17 and expiring on 04/26/22.

2. NEW EVIDENCE SUBMITTED

A. DRAWINGS

1. Drawing No. MD-MUL238, titled “238 Flange Frame Clipped Mullion”, sheets 1 thru 7 of 7, dated 05/14/2020, prepared by manufacturer, signed and sealed by Anthony Lynn Miller, P.E.

B. TESTS

1. None.

C. CALCULATIONS

1. Anchor verification calculations and structural analysis, complying with **FBC-6th Edition (2017)** and **FBC-7th (2020)** dated 06/05/2020, prepared by manufacturer, signed and sealed by Anthony Lynn Miller, P.E.

D. QUALITY ASSURANCE

1. Miami-Dade Department of Regulatory and Economic Resources (RER)

E. MATERIAL CERTIFICATIONS

1. None.

F. STATEMENTS

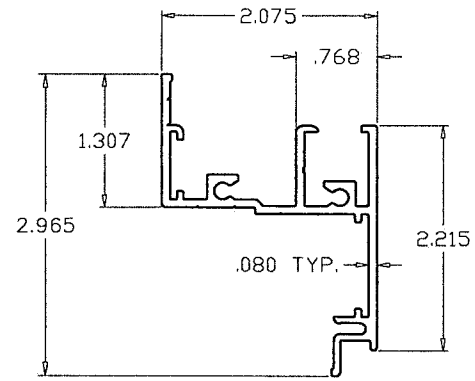
1. Statement letter of conformance, complying with **FBC 6th Edition (2017)** and with **FBC 7th Edition (2020)**, and of no financial interest, dated 05/19/2020, signed and sealed by Anthony Lynn Miller, P.E.
2. Statement letter of successor engineer per 61G15-27.001 Florida Administrative Code.

G. OTHERS

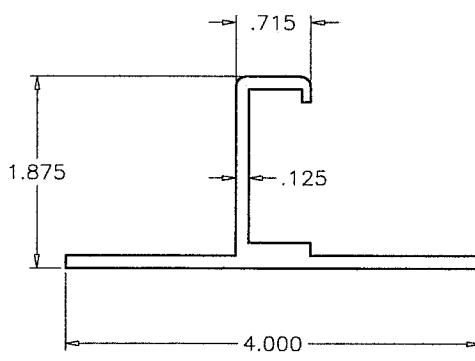
1. Notice of Acceptance No. **17-1018.07**, issued to CGI Windows & Doors for their Series Clipped, Extruded Aluminum Tube Mullion with #373 Framing Member – L.M.I., approved on 11/22/17 and expiring on 04/26/22.



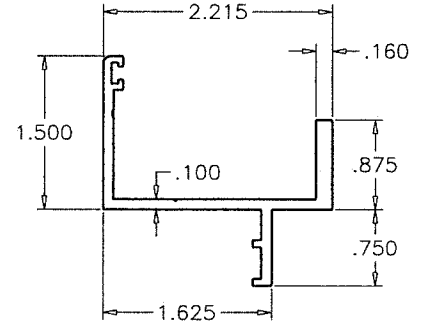
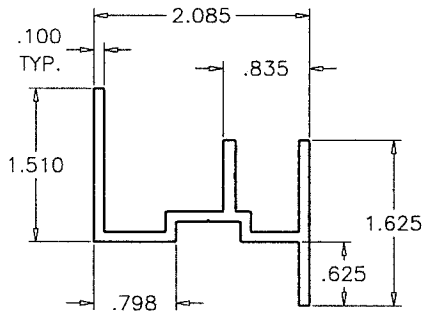
Sifang Zhao, P.E.
Product Control Examiner
NOA No. 20-0610.08
Expiration Date: April 26, 2022
Approval Date: September 24, 2020



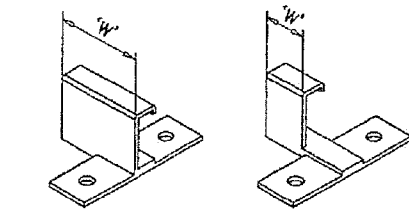
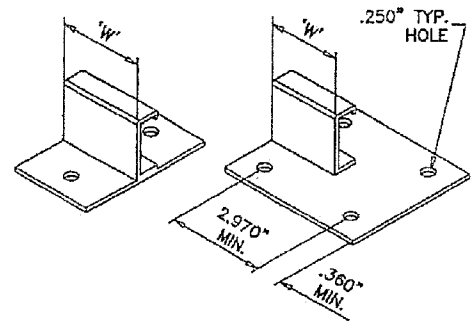
FRAME
CGI-373
6063-T6



FRAME
CGI-386
6063-T6



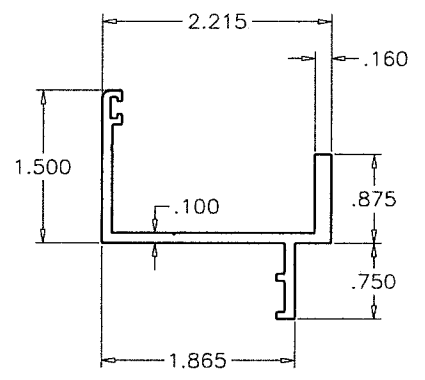
VENT
CGI-387
6063-T6



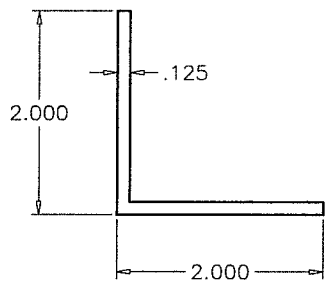
'W' DIMENSION

MULLION	'W' - IN.
2"	1.688
3"	2.688
4"	3.688

MULLION CLIP
CGI-383
6063-T6

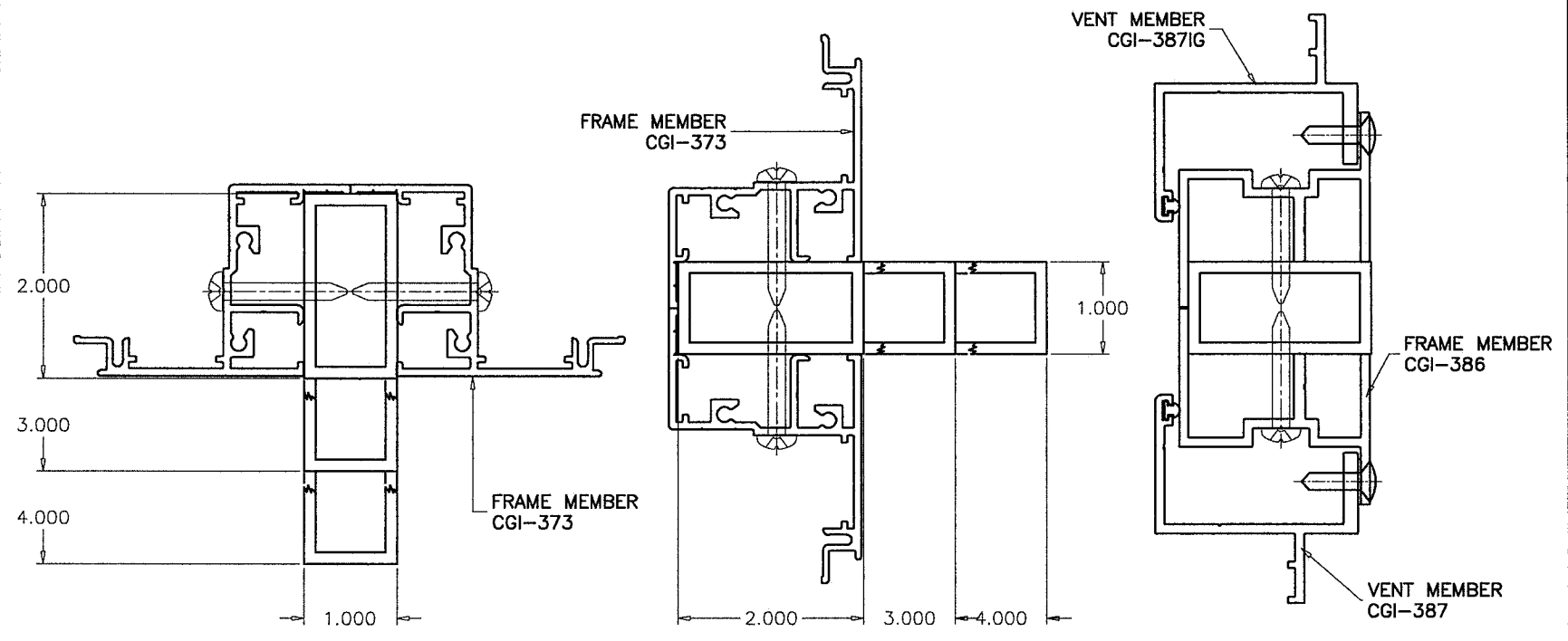


VENT
CGI-387IG
6063-T6



MULLION CLIP
6063-T6

THESE MULLIONS ARE RATED FOR LARGE & SMALL MISSILE IMPACT



ALL MULLIONS: 6063-T6 ALLOY, 1/8" TYP. WALL THICKNESS
MULLIONS CONTAINING WINDOW FRAME MEMBERS AT EACH SIDE
HORIZONTAL OR VERTICAL

SEE WINDOW OR DOOR APPROVAL FOR FASTENERS SIZES AND SPACING

ALUMINUM TUBE MULLION WINDOW FRAME MEMBER INCLUDED IN PROPERTIES

- USE WITH:
- 1- FRAMING MEMBER #373
 - 2- FRAMING MEMBER #386 + 387
 - 3- FRAMING MEMBER #386 + 387IG
- ALSO ANY COMBINATIONS OF ABOVE.

NOTES:
THIS PRODUCT HAS BEEN DESIGNED AND TESTED TO COMPLY WITH THE REQUIREMENTS OF THE 2017 (6TH EDITION)/2020 (7TH EDITION) FLORIDA BUILDING CODE INCLUDING HIGH VELOCITY HURRICANE ZONE (HVHZ).

ALL GLAZING PRODUCTS USED WITH THESE MULLIONS MUST MEET THE APPLICABLE CODE REQUIREMENTS I.E.: WIND LOAD, WATER INFILTRATION, FORCED ENTRY RESISTANCE, SAFEGUARDS ETC.

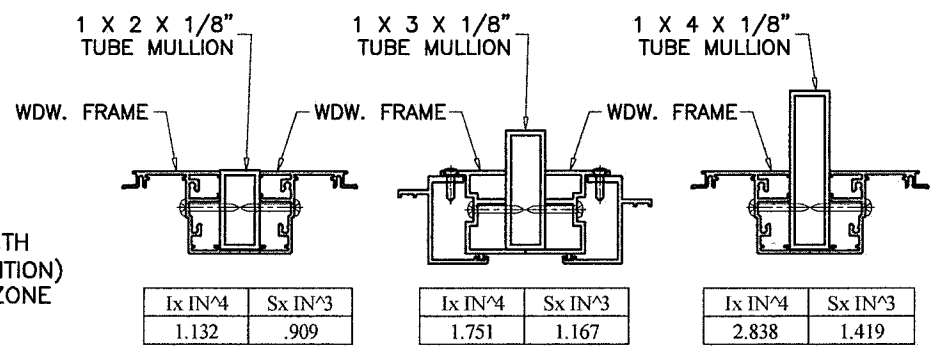
WOOD BUCKS BY OTHERS, MUST BE ANCHORED PROPERLY TO TRANSFER LOADS TO THE STRUCTURE.

ANCHORS SHALL BE LISTED, SPACED AS SHOWN ON THE DETAILS, EMBEDMENT TO BASE MATERIAL SHALL BE BEYOND WALL COVERING (STUCCO, TILE ETC.).

ANCHORING CONDITIONS OTHER THAN THOSE SHOWN IN THESE DETAILS ARE NOT PART OF THIS APPROVAL.

A LOAD DURATION INCREASE IS USED IN DESIGN OF ANCHORS INTO WOOD ONLY.

MATERIALS INCLUDING BUT NOT LIMITED TO STEEL/METAL SCREWS, THAT COME INTO CONTACT WITH OTHER DISSIMILAR MATERIALS SHALL MEET THE REQUIREMENTS OF THE 2017/2020 FLORIDA BLDG. CODE & ADOPTED STANDARDS.



1x IN^4	Sx IN^3	1x IN^4	Sx IN^3	1x IN^4	Sx IN^3
1.132	.909	1.751	1.167	2.838	1.419

INSTRUCTIONS:

USE CHARTS AND GRAPHS AS FOLLOWS.

- STEP 1** DETERMINE DESIGN LOAD REQUIRED PER ASCE 7 FOR PARTICULAR OPENING.
- STEP 2** USE CONNECTION OF WINDOWS TO MULLION AS PER PRODUCT APPROVAL.
- STEP 3** USING GRAPHS ON SHEET 2 & 4 SELECT MULLION SIZE WITH DESIGN RATING MORE THAN DESIGN LOAD SPECIFIED IN STEP 1 ABOVE.
- STEP 4** USING GRAPHS ON SHEET 3 & 5 VERIFY ANCHOR CAPACITY WITH DESIGN RATING MORE THAN DESIGN LOAD SPECIFIED IN STEP 1 ABOVE.
- STEP 5** CAPACITY OF CGI GLAZING PRODUCTS AND MULLION MUST EQUAL OR EXCEED REQUIRED LOADS.

PRODUCT REVISED
as complying with the Florida Building Code
NOA-No. 20-0610.08
Expiration Date 04/26/2022
By *LS*
Miami-Dade Product Control

Revision: A) UPDATED TO FBC 2020.
AK - 05/14/20

PREPARED BY A. LYNN MILLER
1070 TECHNOLOGY DRIVE
N. VENICE, FL 34275
(941) 480-1600

REGISTRATION #29296

DATE 05/14/20

BY AGK

MD-MUL238

1 OF 7

NTS

Scale

Series Title Desc

EXTRUSIONS, INSTRUCTIONS, NOTES

238 FLANGE FRAME CLIPPED MULLION

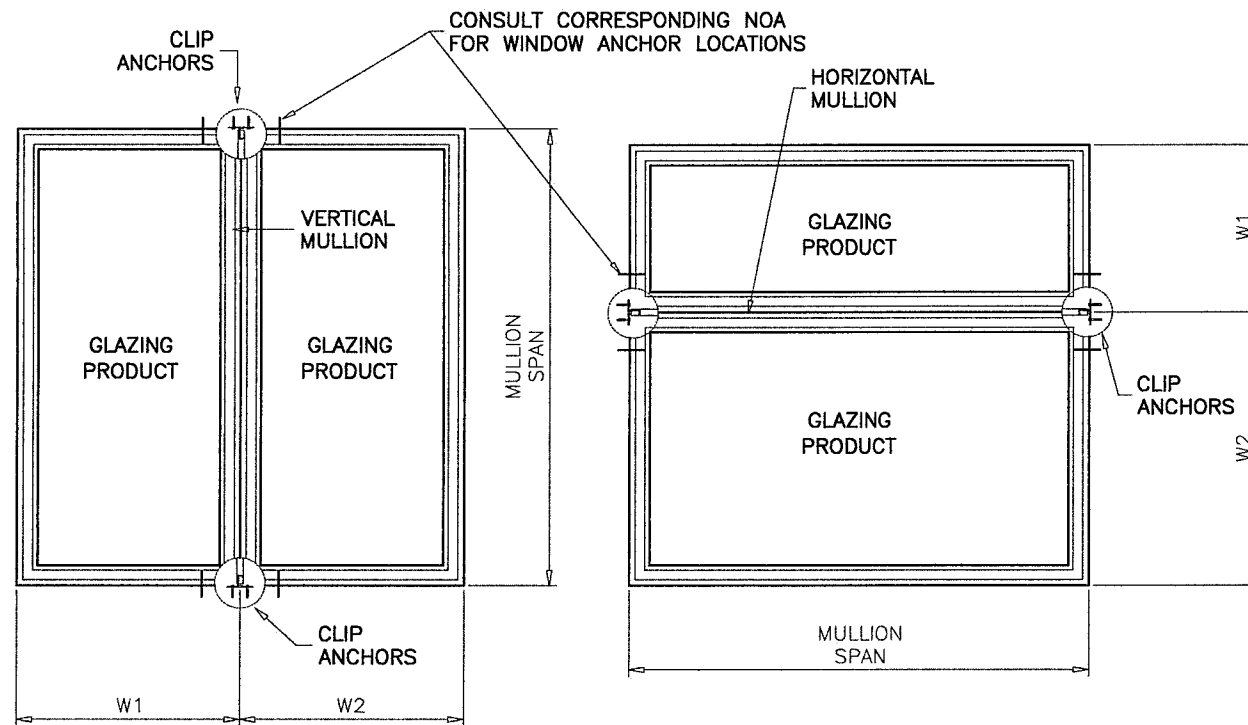
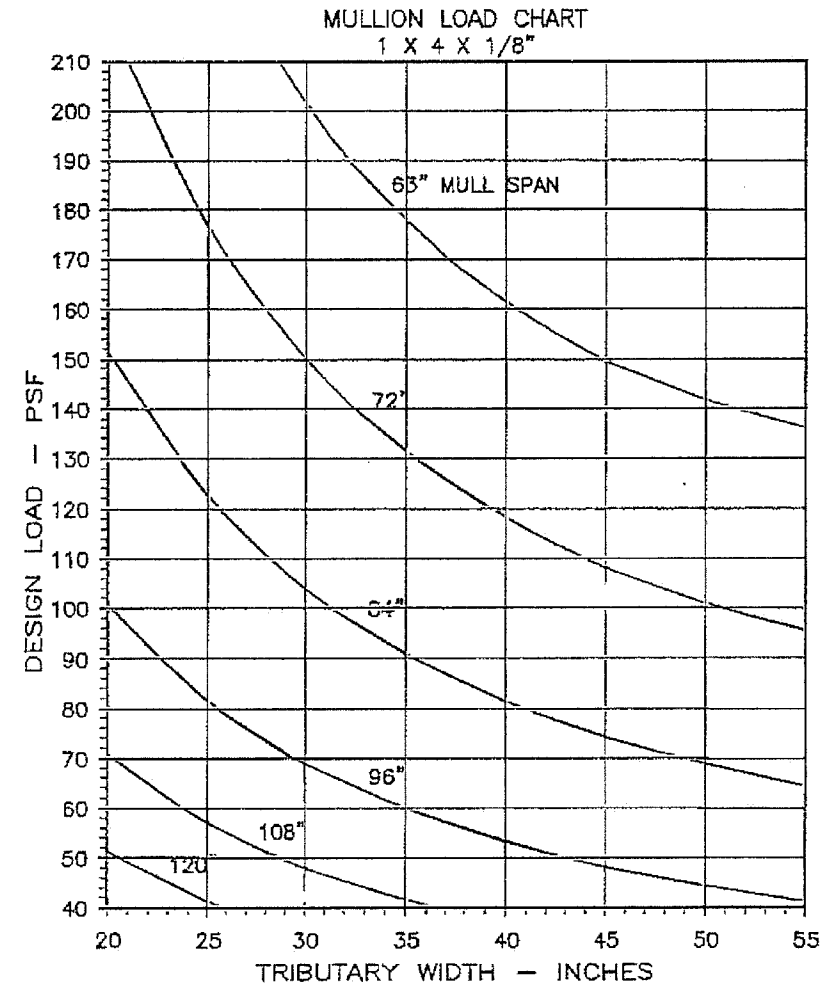
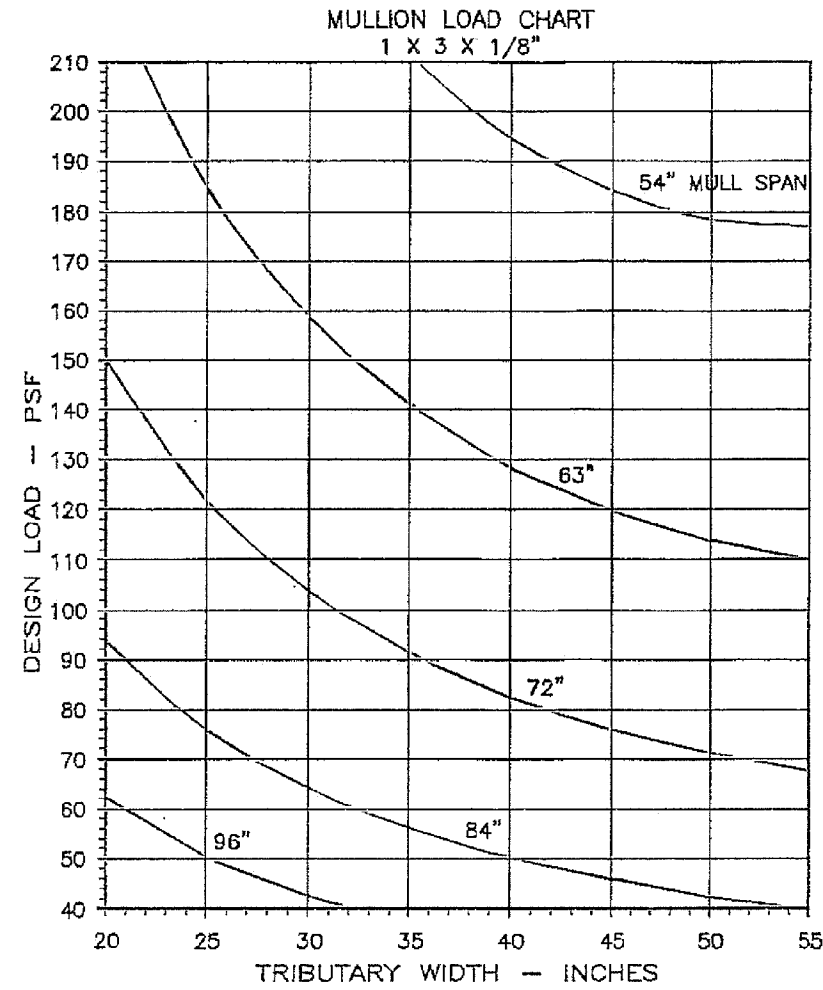
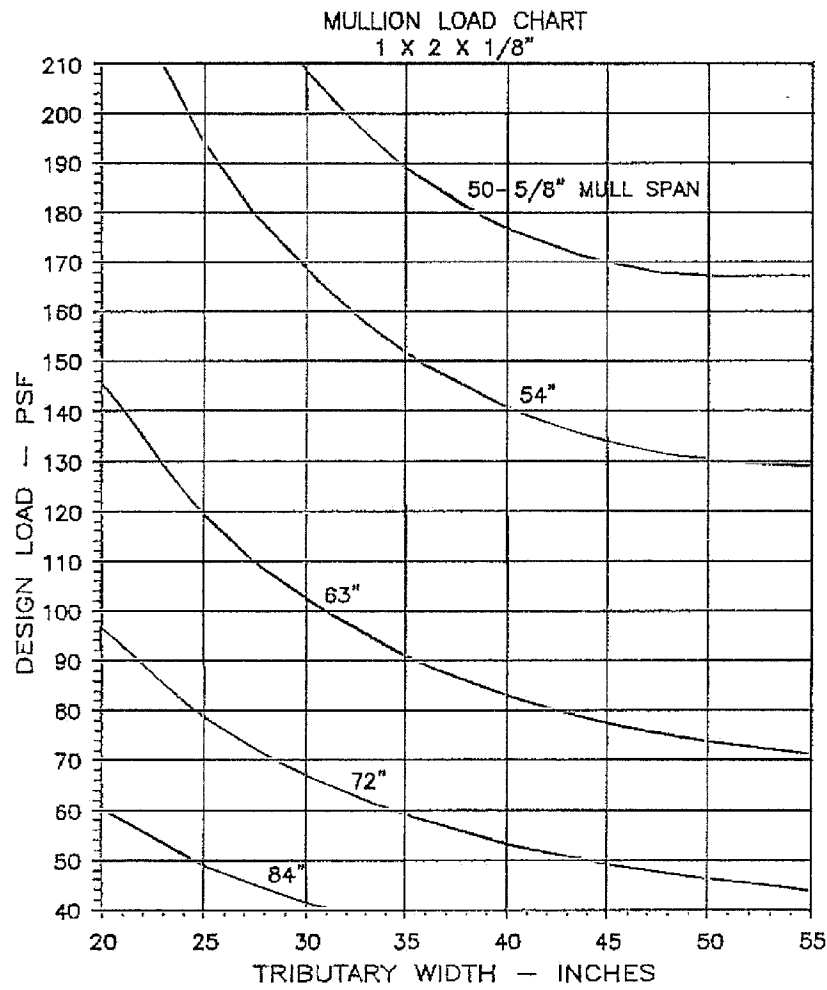
MUL238

Impact Resistant Windows & Doors WE'RE STRONGER™

CGI DOORS AND WINDOWS, INC.
3780 W 104TH STREET
HIALEAH, FL 33018
(305) 593-6590

ANTHONY LYNN MILLER
LICENSE
No. 58705
61520
STATE OF FLORIDA
PROFESSIONAL ENGINEER

A. LYNN MILLER, P.E.
P.E.# 58705



$$\text{TRIBUTARY WIDTH} = \frac{W1 + W2}{2}$$

TYPICAL MULLION ARRANGEMENTS

MULLION CHARTS ON THIS SHEET APPLY TO MULLION CONDITIONS SHOWN ON ELEVATIONS AT LEFT ONLY.

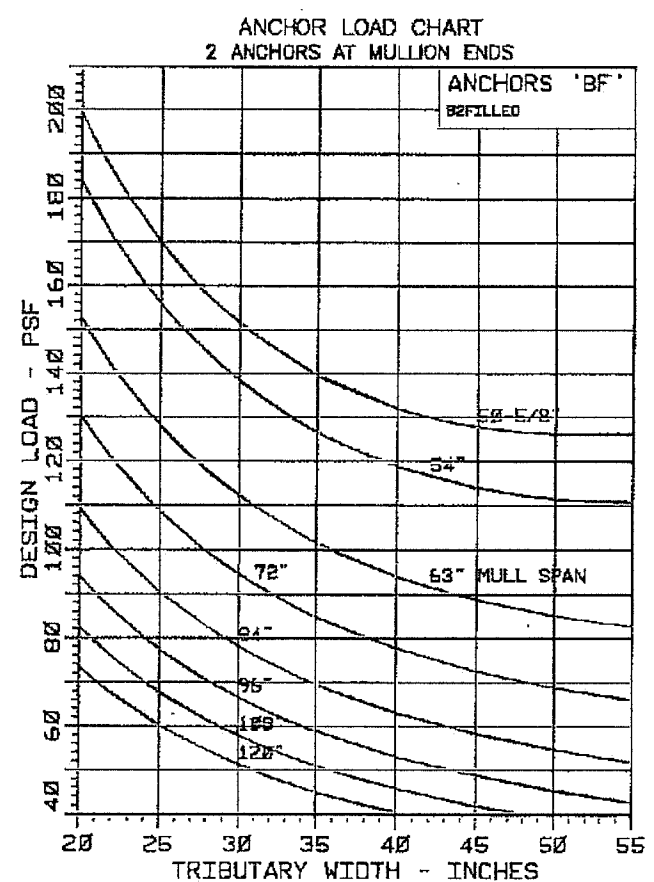
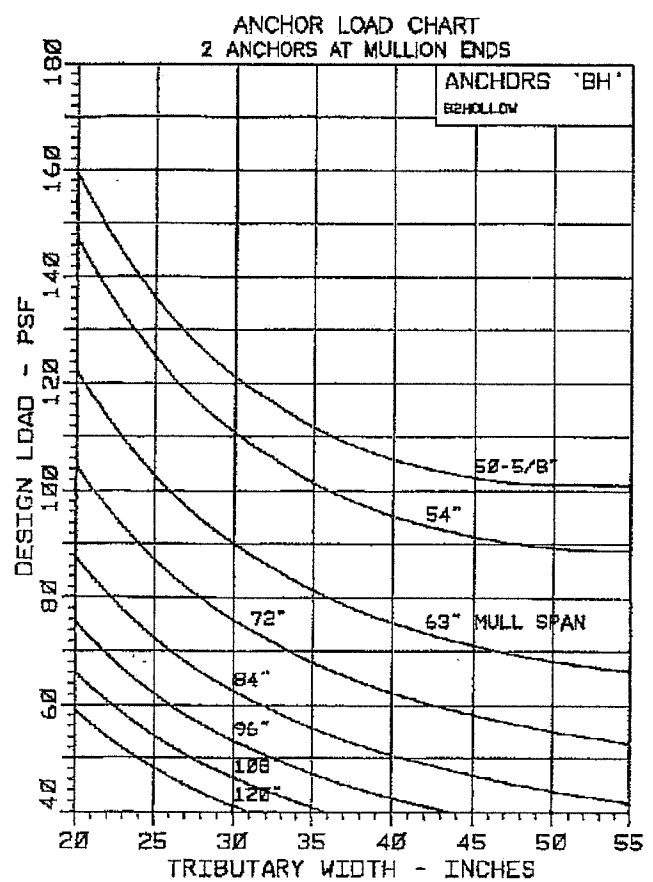
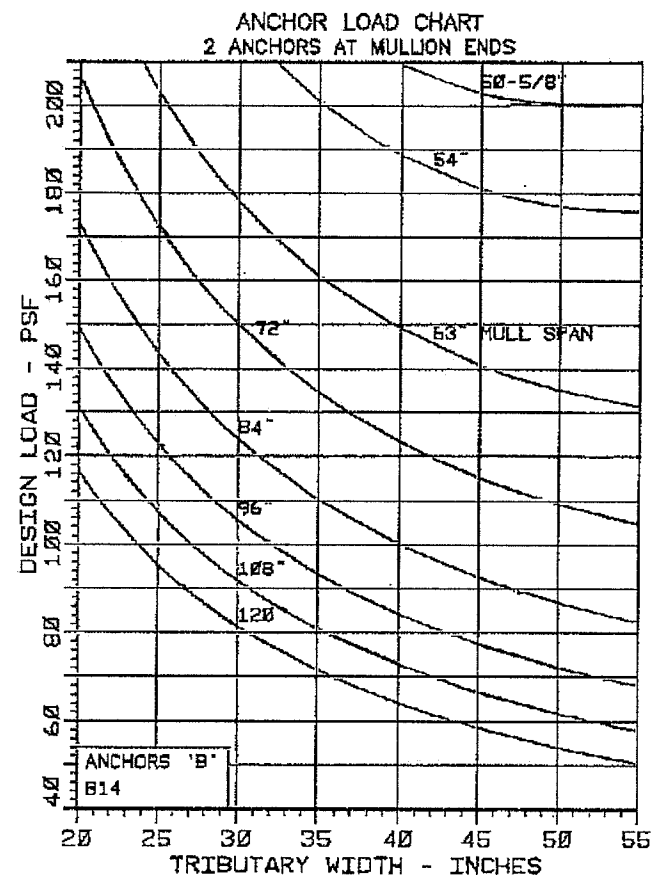
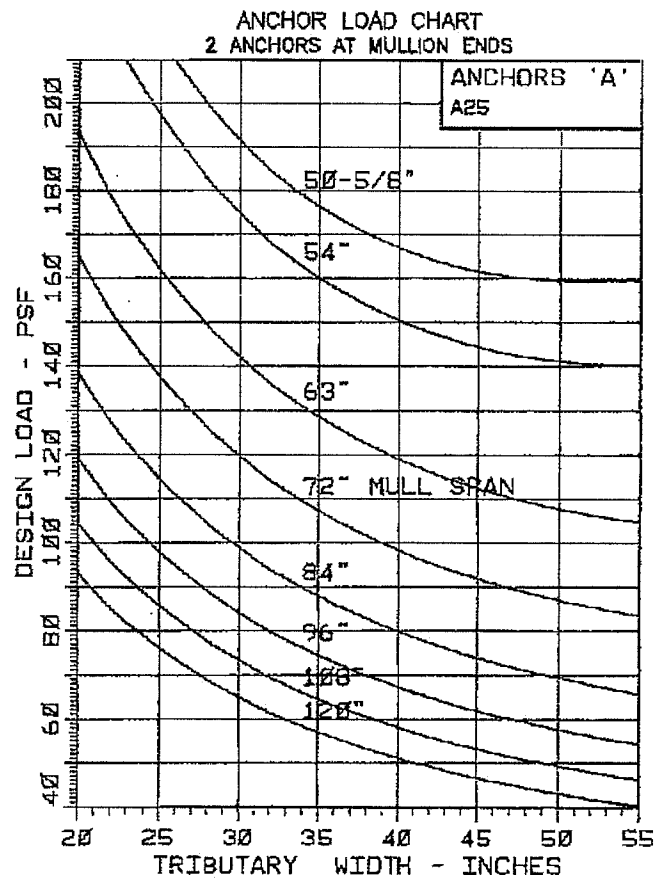
PRODUCT REVISED
as complying with the Florida Building Code
NOA-No. 20-0610.08
Expiration Date 04/26/2022
By *[Signature]*
Miami-Dade Product Control

Revision: A) NO CHANGES THIS SHEET.
AK - 05/14/20

PREPARED BY A. LYNN MILLER 1070 TECHNOLOGY DRIVE N. VENICE, FL 34275 (941) 480-1600	REGISTRATION #29296	By	Rev.
	05/14/20	AGK	A
Impact Resistant Windows & Doors WE'RE STRONGER™ CGI DOORS AND WINDOWS, INC. 3780 W 104TH STREET HIALEAH, FL 33018 (305) 593-6590	MULLION LOAD CHARTS	238 FLANGE FRAME CLIPPED MULLION	DWG No.
			MD-MUL238
			2 OF 7
			NTS
			MUL238

ANTHONY LYNN MILLER
LICENSE
No. 58705
[Signature]
61520
STATE OF FLORIDA
PROFESSIONAL ENGINEER

A. LYNN MILLER, P.E.
P.E.# 58705

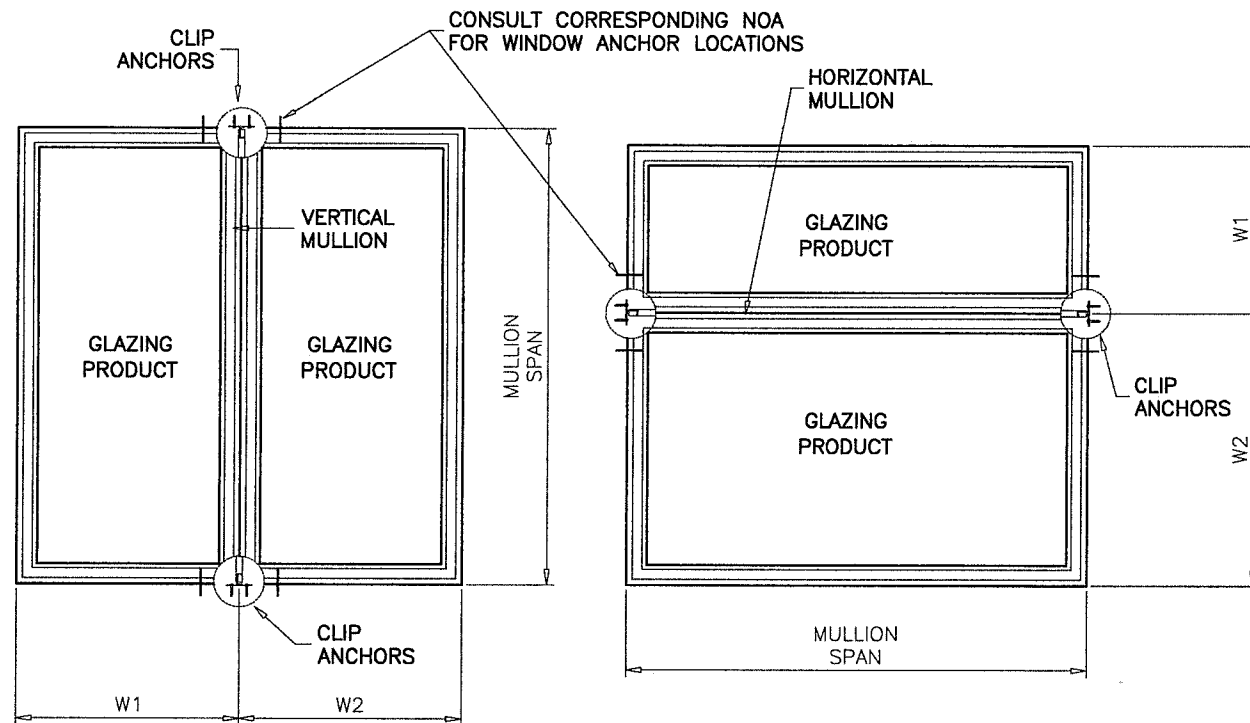


ANCHORS 'A'
APPLICABLE TO ANCHORS INTO OR THRU WOOD BUCKS

ANCHORS 'B'
APPLICABLE TO ANCHORS INTO CONCRETE OR METAL

ANCHORS 'BH'
APPLICABLE TO ANCHORS DIRECTLY TO HOLLOW BLOCK

ANCHORS 'BF'
APPLICABLE TO ANCHORS DIRECTLY TO GROUT FILLED BLOCKS



$$\text{TRIBUTARY WIDTH} = \frac{W1 + W2}{2}$$

TYPICAL MULLION ARRANGEMENTS

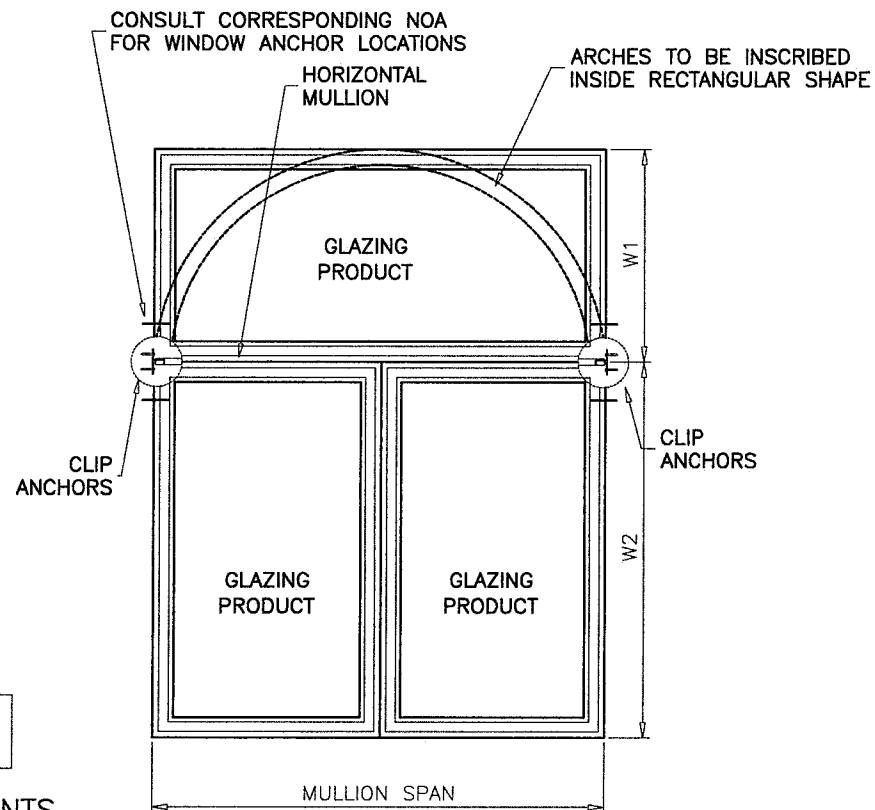
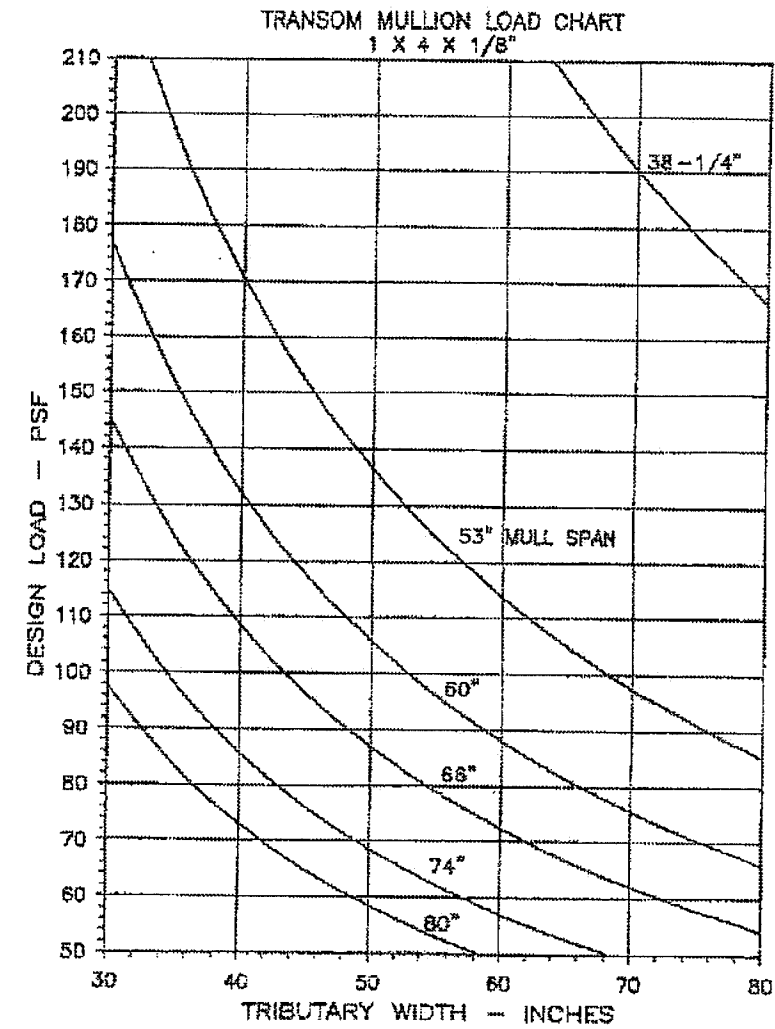
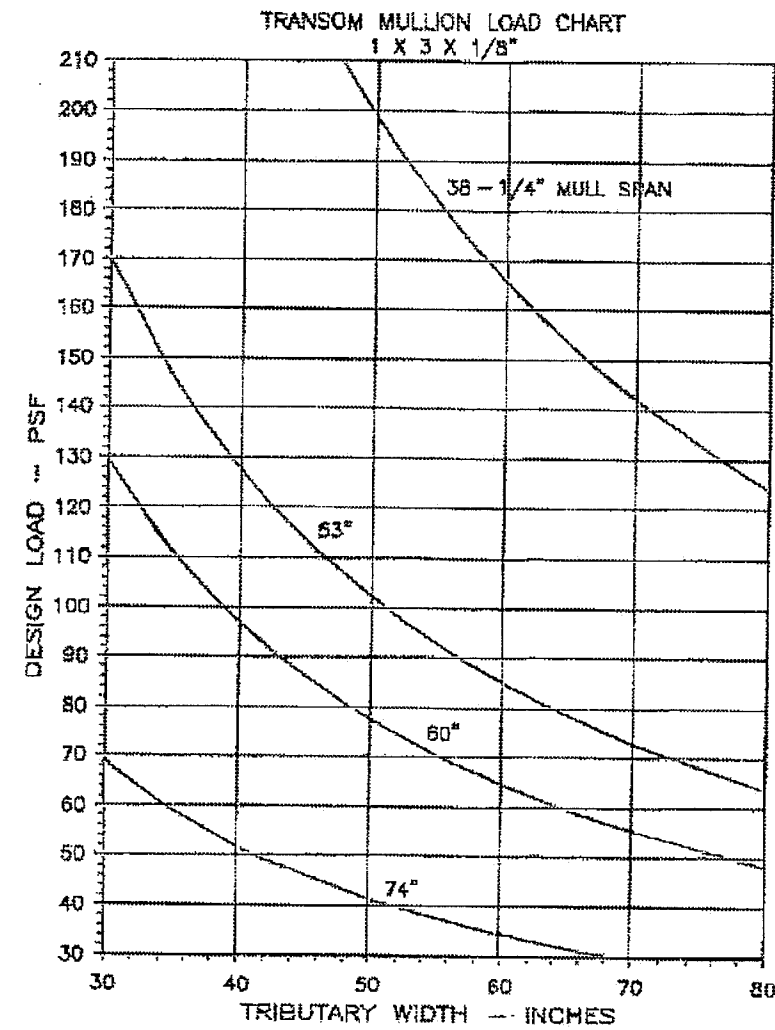
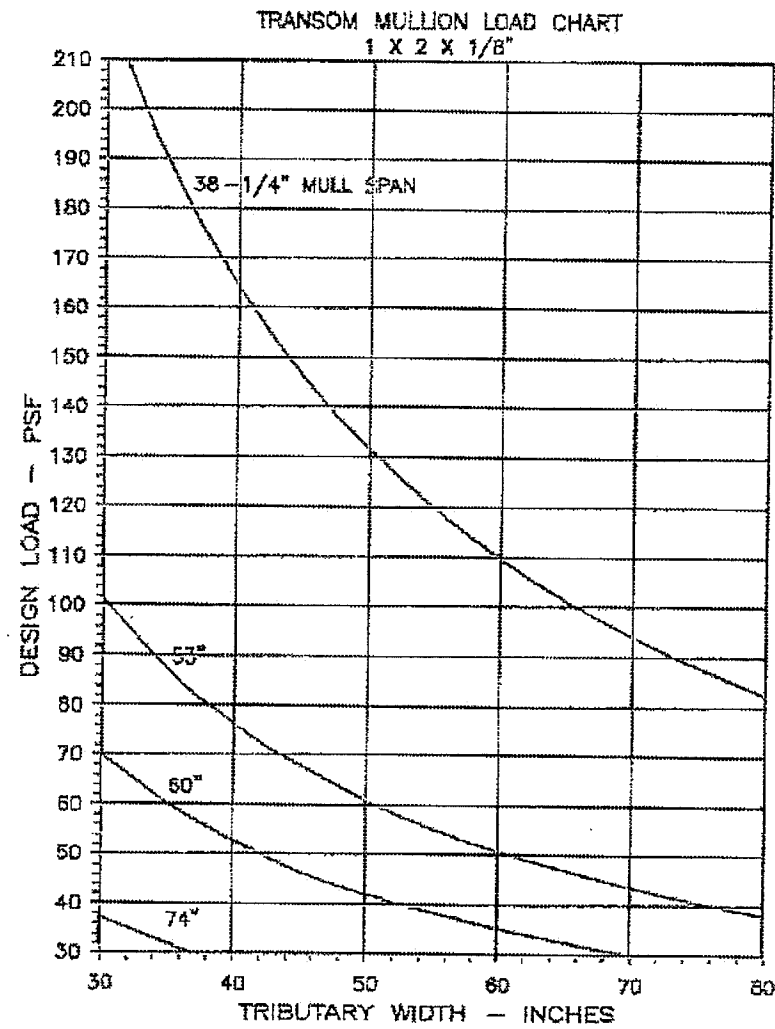
MULLION CHARTS
ON THIS SHEET APPLY TO
MULLION CONDITIONS SHOWN ON
ELEVATIONS AT LEFT ONLY.

PRODUCT REVISED
as complying with the Florida
Building Code
NOA-No. 20-0610.08
Expiration Date 04/26/2022
By Miami-Dade Product Control

Revision: A) NO CHANGES THIS SHEET.
AK - 05/14/20

PREPARED BY A. LYNN MILLER 1070 TECHNOLOGY DRIVE N. VENICE, FL 34275 (941) 480-1600	REGISTRATION #29296	05/14/20	AGK	Rev. A
	ANCHOR LOAD CHARTS	238 FLANGE FRAME CLIPPED MULLION	MUL238	
Impact Resistant Windows & Doors WE'RE STRONGER™ CGI DOORS AND WINDOWS, INC. 3780 W 104TH STREET HIALEAH, FL 33018 (305) 593-6590	ANCHOR LOAD CHARTS	238 FLANGE FRAME CLIPPED MULLION	MUL238	
	3 OF 7	3 OF 7	3 OF 7	3 OF 7

ANTHONY LYNN MILLER
LICENSE
No. 58705
6/5/20
STATE OF
FLORIDA
PROFESSIONAL ENGINEER
A. LYNN MILLER, P.E.
P.E.# 58705



$$\text{TRIBUTARY WIDTH} = \frac{W1 + W2}{2}$$

TYPICAL MULLION ARRANGEMENTS

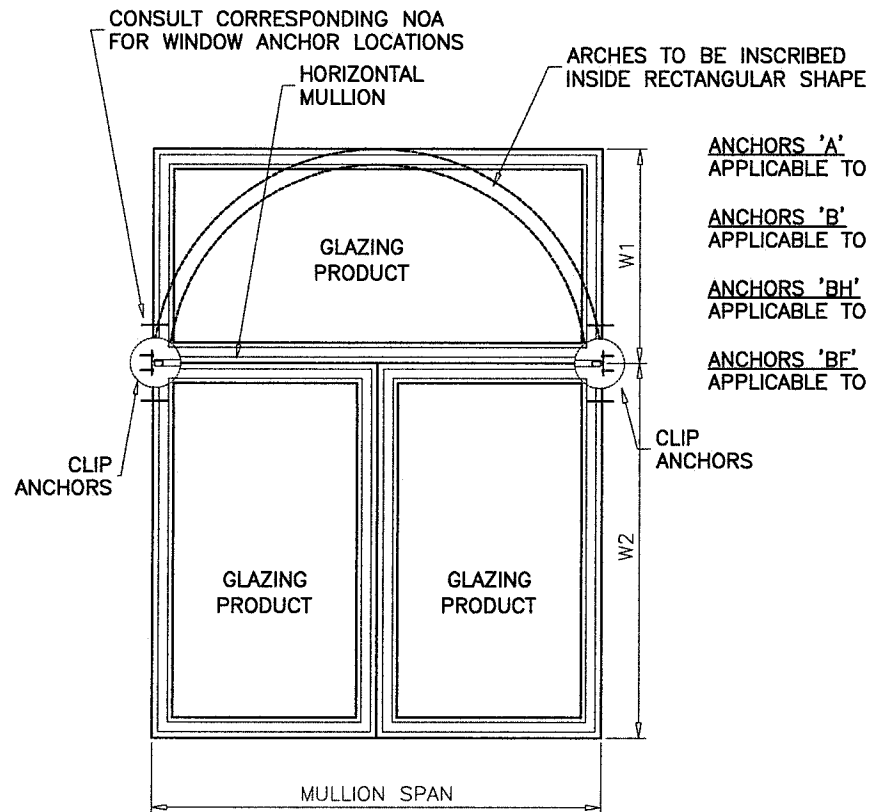
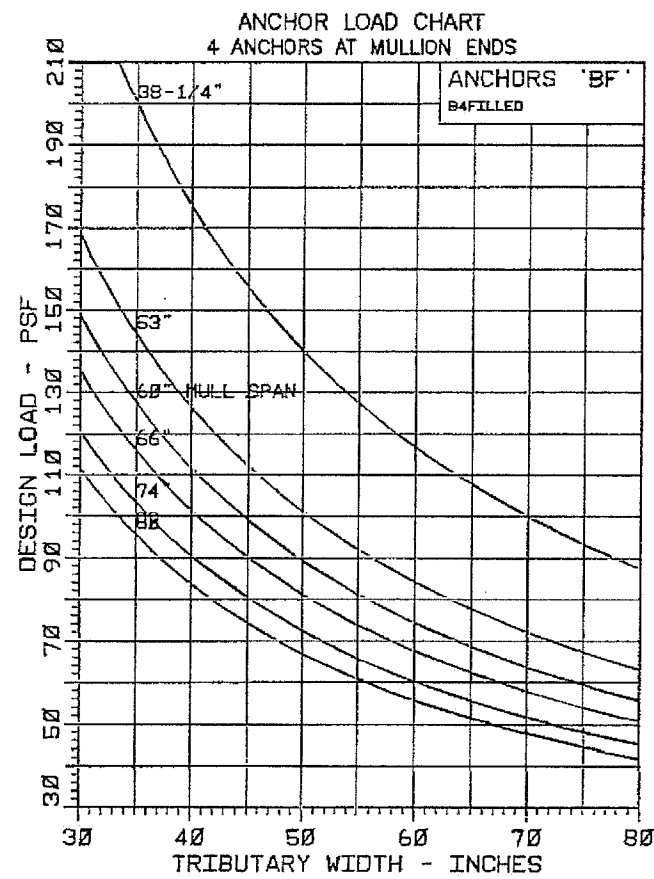
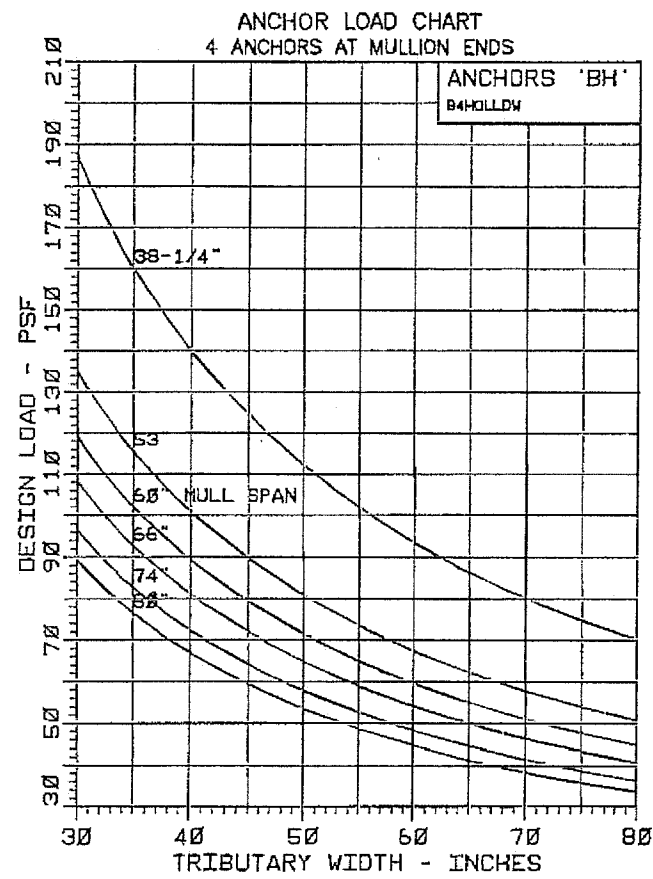
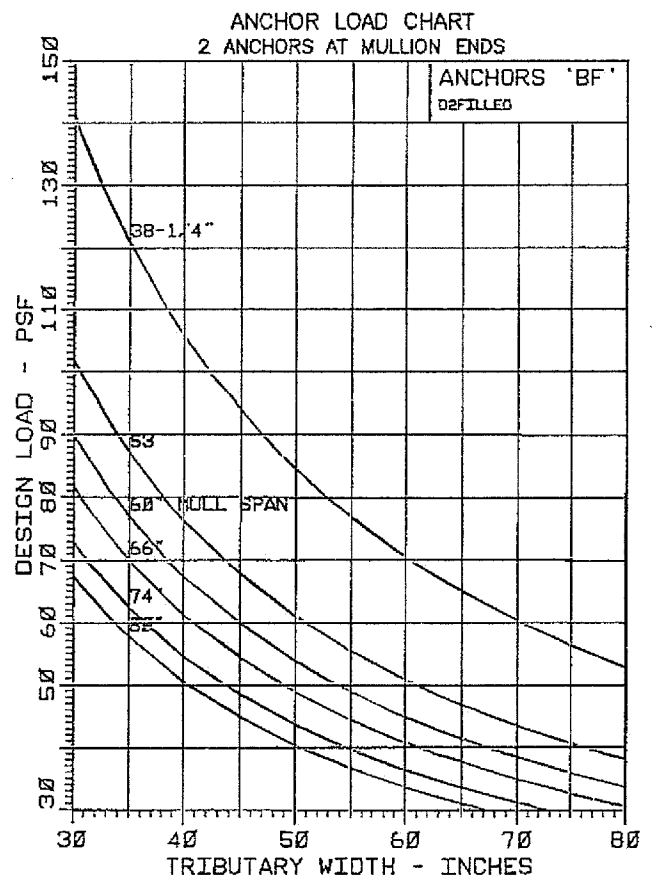
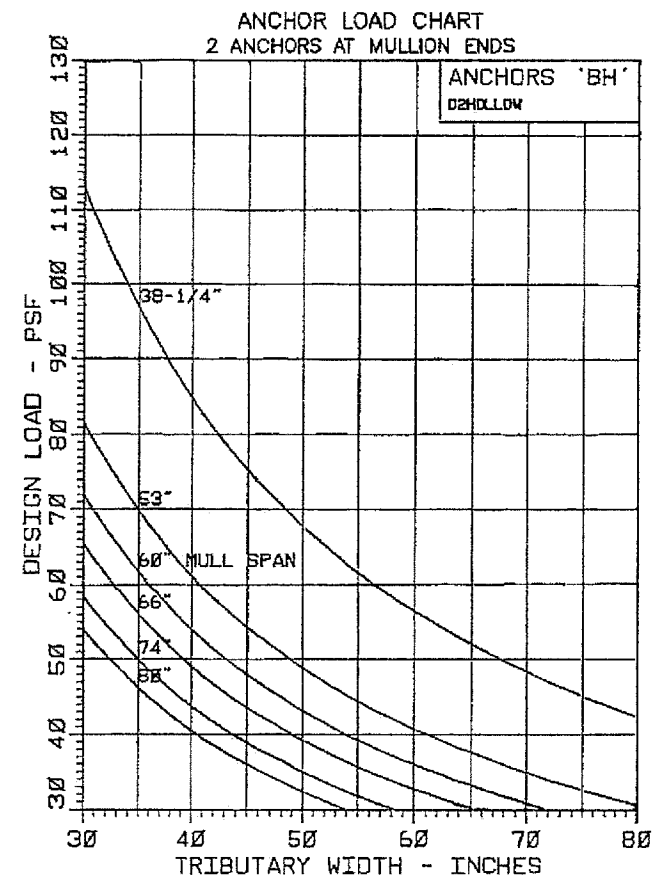
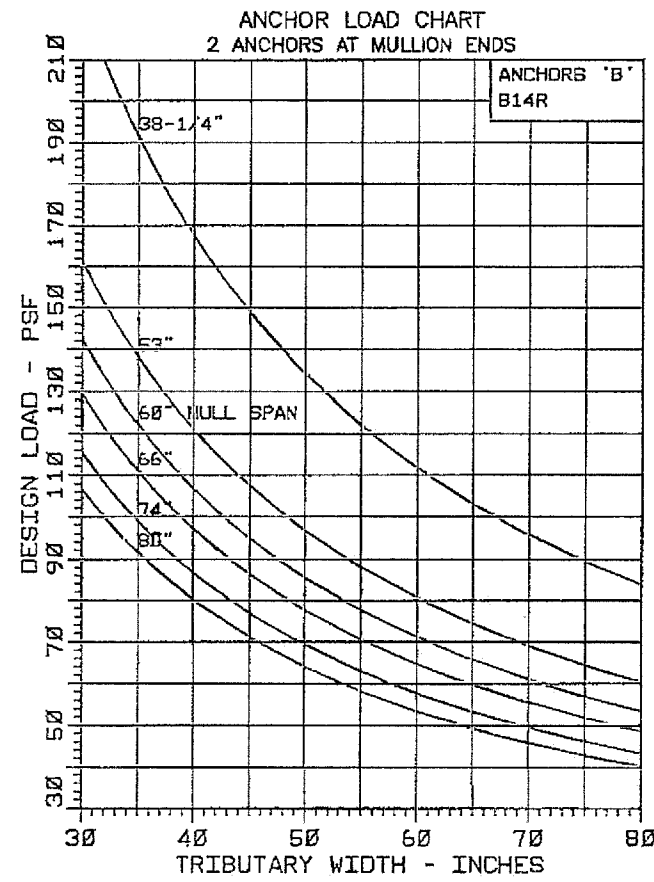
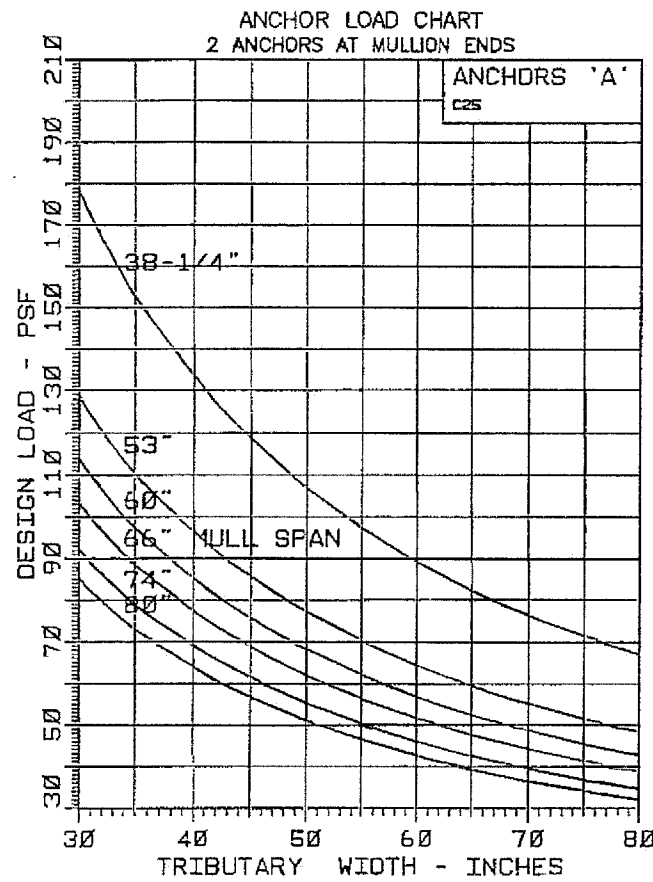
MULLION AND ANCHOR CHARTS ON THIS SHEET APPLY TO HORIZONTAL MULLION AND IT'S END ANCHORS ONLY.

PRODUCT REVISED
as complying with the Florida Building Code
NOA-No. 20-0610.08
Expiration Date 04/26/2022
By *[Signature]*
Miami-Dade Product Control

Revison: A) NO CHANGES THIS SHEET.
AK - 05/14/20

PREPARED BY A. LYNN MILLER 1070 TECHNOLOGY DRIVE N. VENICE, FL 34275 (941) 480-1600	REGISTRATION #29296	05/14/20	AGK	MD-MUL238	A
	MULLION LOAD CHARTS				
Impact Resistant Windows & Doors WERE STRONGER™ CGI DOORS AND WINDOWS, INC. 3780 W 104TH STREET HIALEAH, FL 33018 (305) 593-6590	MULLION LOAD CHARTS				
	238 FLANGE FRAME CLIPPED MULLION				
MUL238	Scale	NTS	Sheet	4 OF 7	DWG No.
	Series				

ANTHONY LYNN MILLER
LICENSE
No. 58705
[Signature]
6/5/20
STATE OF FLORIDA
PROFESSIONAL ENGINEER
A. LYNN MILLER, P.E.
P.E.# 58705



$$\text{TRIBUTARY WIDTH} = \frac{W1 + W2}{2}$$

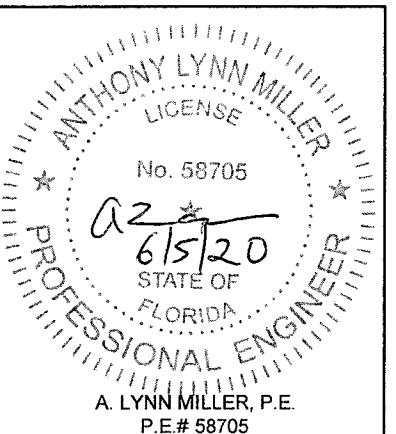
TYPICAL MULLION ARRANGEMENTS

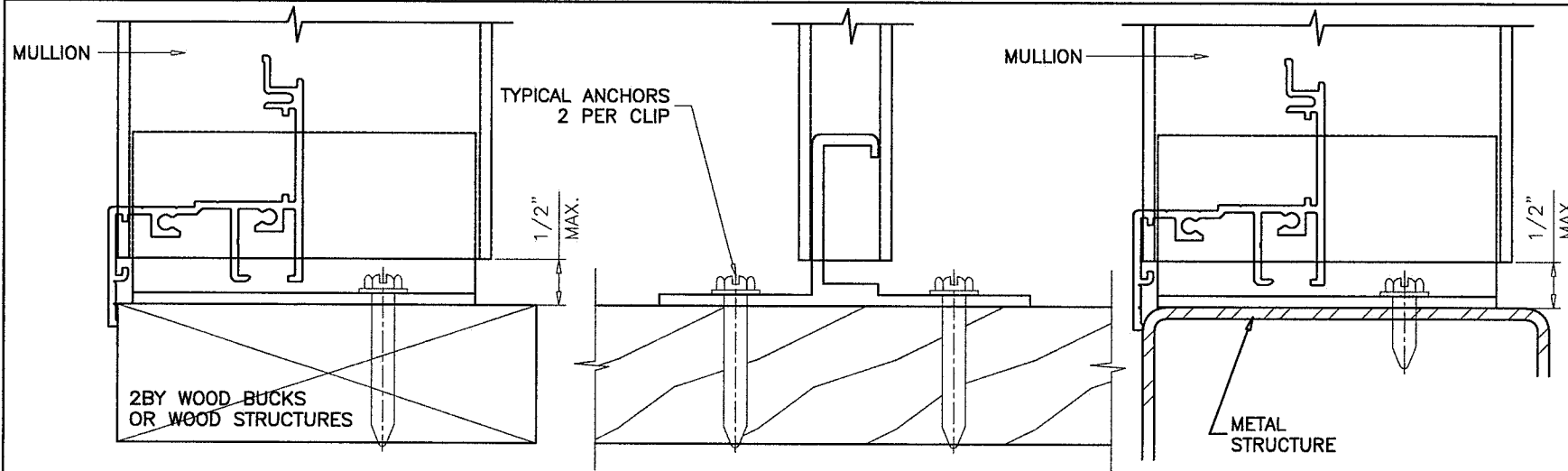
MULLION AND ANCHOR CHARTS ON THIS SHEET APPLY TO HORIZONTAL MULLION AND IT'S END ANCHORS ONLY.

PRODUCT REVISED
as complying with the Florida Building Code
NOA-No. 20-0610.08
Expiration Date 04/26/2022
By *[Signature]*
Miami-Dade Product Control

Revision: A) NO CHANGES THIS SHEET.
AK - 05/14/20

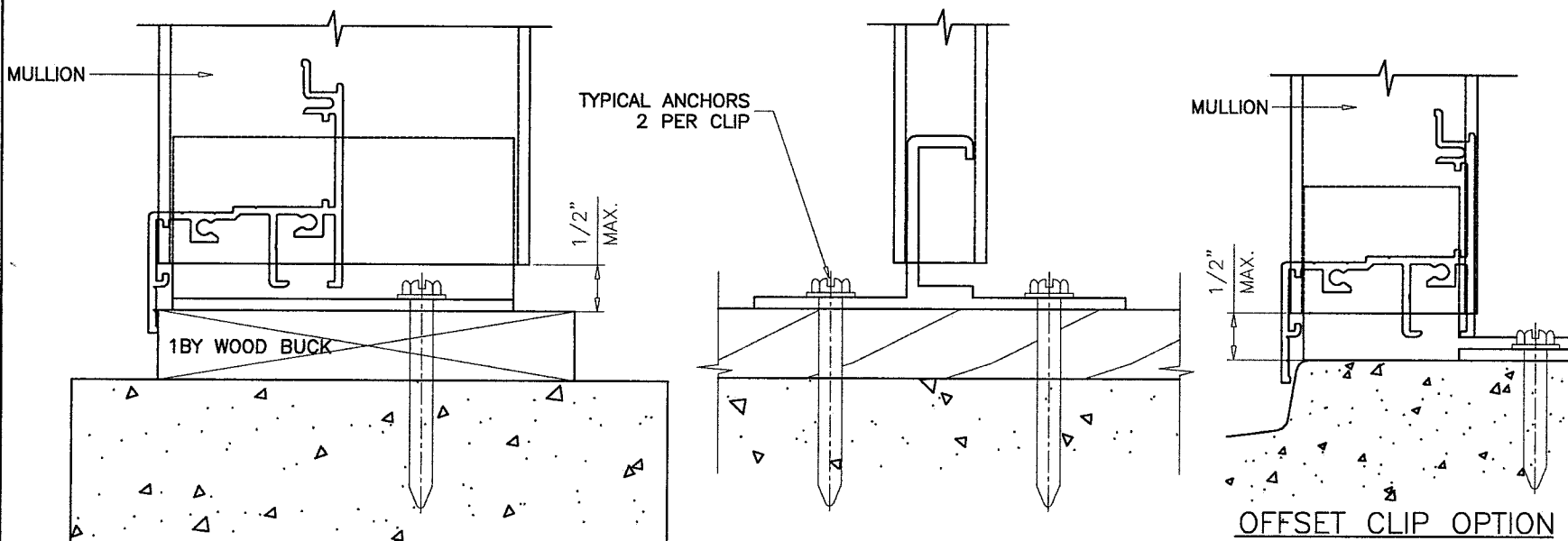
PREPARED BY A. LYNN MILLER 1070 TECHNOLOGY DRIVE N. VENICE, FL 34275 (941) 480-1600	REGISTRATION #29296	Date	05/14/20	Drawn By	AGK	Rev.	A
	ANCHOR LOAD CHARTS	238 FLANGE FRAME CLIPPED MULLION		MUL238		DWG No.	MD-MUL238
Impact Resistant Windows & Doors WERE STRONGER™	CGI DOORS AND WINDOWS, INC. 3780 W 104TH STREET HIALEAH, FL 33018 (305) 593-6690	Scale	NTS	Sheet	5 OF 7		
ANCHOR LOAD CHARTS		238 FLANGE FRAME CLIPPED MULLION		MUL238		Series	





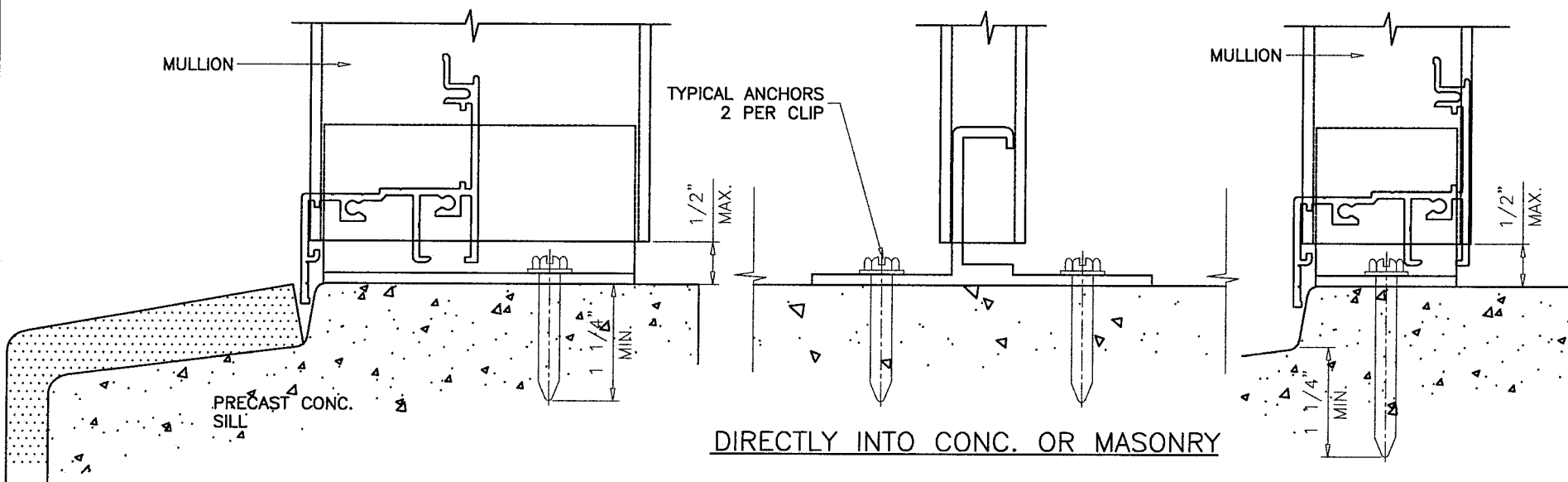
INTO 2BY WOOD BUCKS OR WOOD STRUCTURES

INTO METAL STRUCTURES



THRU 1BY BUCKS INTO CONC. OR MASONRY

OFFSET CLIP OPTION



DIRECTLY INTO CONC. OR MASONRY

WOOD BUCKS AND METAL STRUCTURE NOT BY CGI WDW. MUST SUSTAIN LOADS IMPOSED BY GLAZING SYSTEM AND TRANSFER THEM TO THE BUILDING STRUCTURE.

TYPICAL ANCHORS: SEE ELEV. FOR SPACING

TYPE 'A' - 1/4" DIA. ULTRACON BY 'ELCO' (Fu=177 KSI, Fy=155 KSI)
 1/4" DIA. ULTRACON+ BY 'DEWALT' (Fu=164 KSI, Fy=148 KSI)

INTO 2BY WOOD BUCKS OR WOOD STRUCTURES
 1-1/2" MIN. PENETRATION INTO WOOD
 THRU 1BY BUCKS INTO CONC. OR MASONRY
 1-1/4" MIN. EMBED INTO CONC. OR MASONRY

TYPE 'B' - 1/4" DIA. ULTRACON BY 'ELCO' (Fu=177 KSI, Fy=155 KSI)
 DIRECTLY INTO CONCRETE
 1-1/2" MIN. EMBED INTO CONCRETE

1/4" DIA. ULTRACON+ BY 'DEWALT' (Fu=164 KSI, Fy=148 KSI)
 DIRECTLY INTO CONCRETE
 1-3/4" MIN. EMBED INTO CONCRETE

#14 SMS OR SELF DRILLING SCREWS (GRADE 2 CRS)
 INTO METAL STRUCTURES
 (3) THREADS MIN. PENETRATION BEYOND SUBSTRATE
 ALUMINUM : 1/8" THK. MIN. (6063-T6 MIN.)
 STEEL : 1/8" THK. MIN. (Fy = 36 KSI MIN.)
 (STEEL IN CONTACT WITH ALUMINUM TO BE PLATED OR PAINTED)

TYPE 'BH' - 1/4" DIA. ULTRACON BY 'ELCO' (Fu=177 KSI, Fy=155 KSI)
 DIRECTLY INTO HOLLOW OR GROUT FILLED BLOCKS
 1-1/4" MIN. EMBED INTO BLOCKS

1/4" DIA. ULTRACON+ BY 'DEWALT' (Fu=164 KSI, Fy=148 KSI)
 DIRECTLY INTO HOLLOW OR GROUT FILLED BLOCKS
 1-1/4" MIN. EMBED INTO BLOCKS
 (MAY BE USED WITH 1" MIN. EDGE DISTANCE)

TYPE 'BF' - 1/4" DIA. ULTRACON BY 'ELCO' (Fu=177 KSI, Fy=155 KSI)
 DIRECTLY INTO FILLED BLOCKS
 1-3/4" MIN. EMBED INTO GROUT FILLED BLOCKS

1/4" DIA. ULTRACON+ BY 'DEWALT' (Fu=164 KSI, Fy=148 KSI)
 DIRECTLY INTO HOLLOW OR GROUT FILLED BLOCKS
 1-1/4" MIN. EMBED INTO BLOCKS

TYPICAL EDGE DISTANCE (UNLESS OTHERWISE NOTED)

INTO CONCRETE AND MASONRY = 2-1/2" MIN.
 INTO WOOD STRUCTURE = 1" MIN.
 INTO METAL STRUCTURE = 1/2" MIN.

WOOD AT HEAD, SILL OR JAMBS SG = 0.55 MIN.
 CONCRETE AT HEAD, SILL OR JAMBS f'c = 3000 PSI MIN.
 C-90 HOLLOW/FILLED BLOCK AT JAMBS f'm = 2000 PSI MIN.

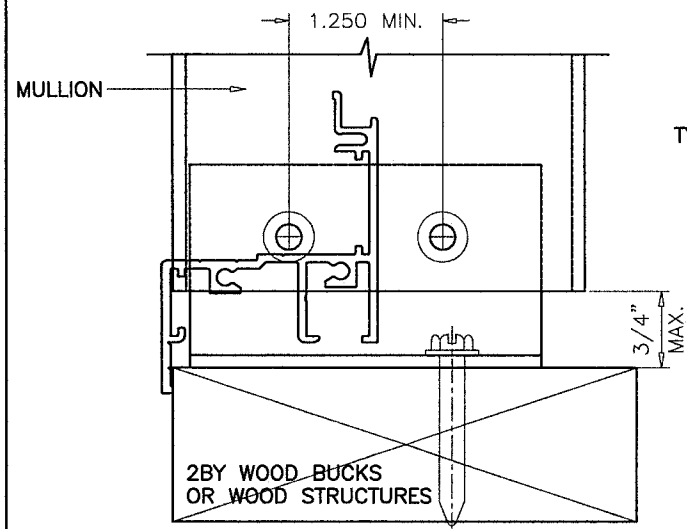
REFER TO SHEET 1 FOR CLIP DETAILS WITH 4 ANCHORS PER CLIP

PRODUCT REVISED
 as complying with the Florida Building Code
 NOA-No. 20-0610.08
 Expiration Date 04/26/2022
 By *[Signature]*
 Miami-Dade Product Control

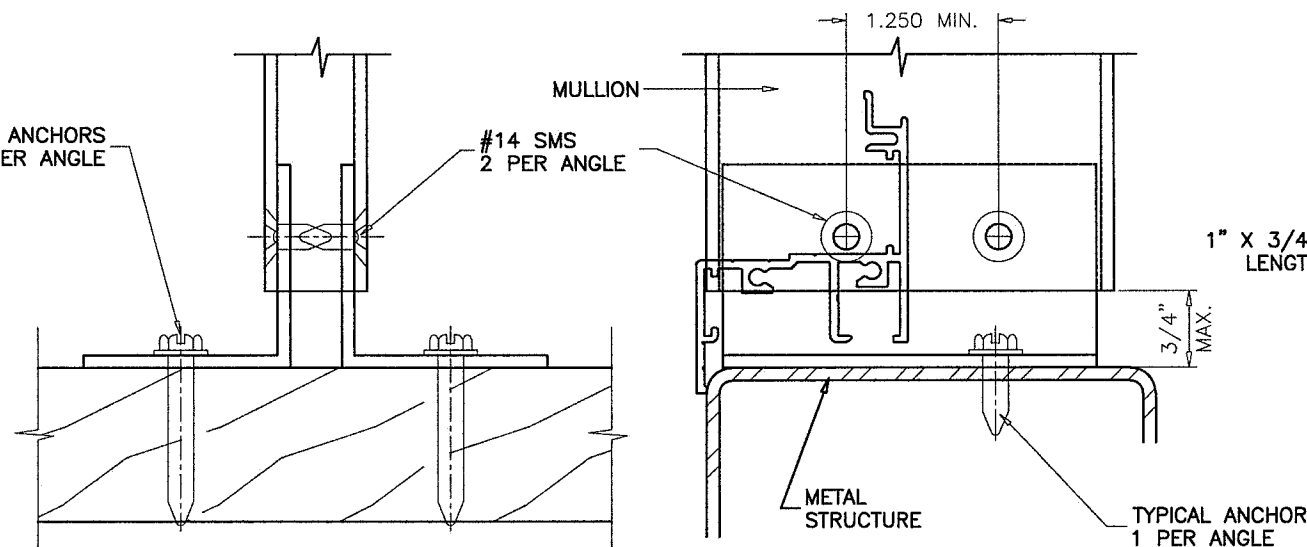
Revision: A) ADDED ULTRACON+ ANCHORS.
 AK - 05/14/20

PREPARED BY A. LYNN MILLER 1070 TECHNOLOGY DRIVE N. VENICE, FL 34275 (941) 480-1600	REGISTRATION #29296	05/14/20	AGK	A
	INSTALLATION DETAILS, ANCHORS	238 FLANGE FRAME CLIPPED MULLION	MD-MUL238	Rev.
Impact Resistant Windows & Doors WERE STRONGER™ CGI DOORS AND WINDOWS, INC. 3780 W 104TH STREET HIALEAH, FL 33018 (305) 593-6590	NTS	6 OF 7	MUL238	DWG
	Scale	Sheet	Desc.	Series

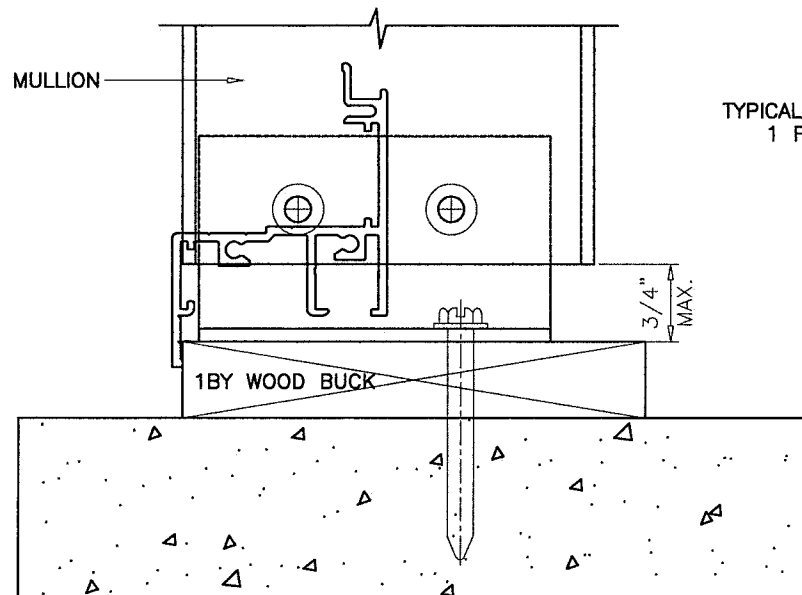
ANTHONY LYNN MILLER
 LICENSE
 No. 58705
[Signature]
 6/5/20
 STATE OF FLORIDA
 PROFESSIONAL ENGINEER
 A. LYNN MILLER, P.E.
 P.E.# 58705



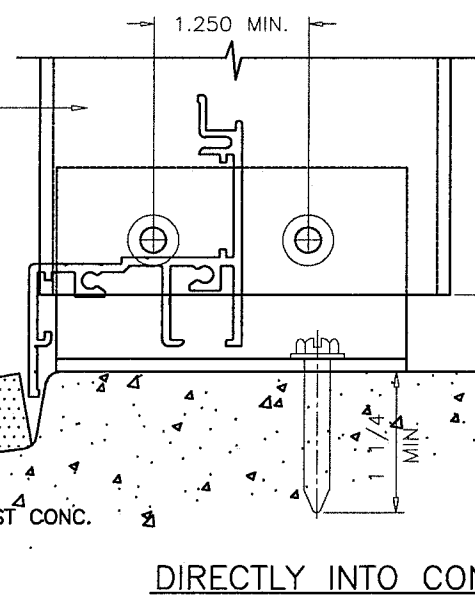
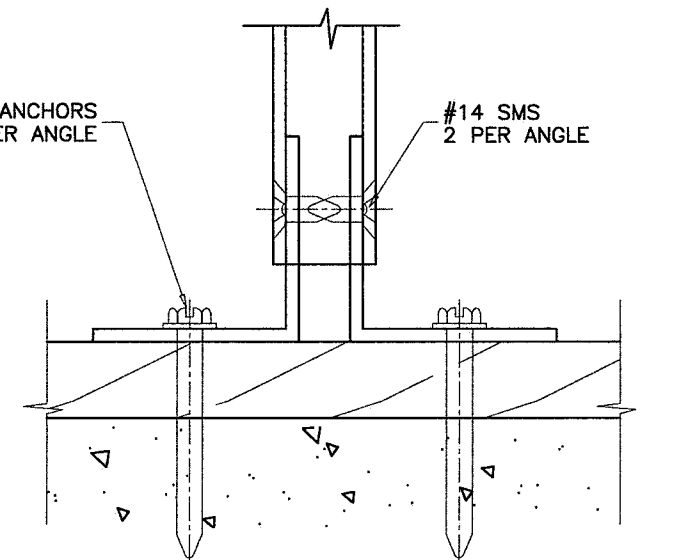
INTO 2BY WOOD BUCKS OR WOOD STRUCTURES



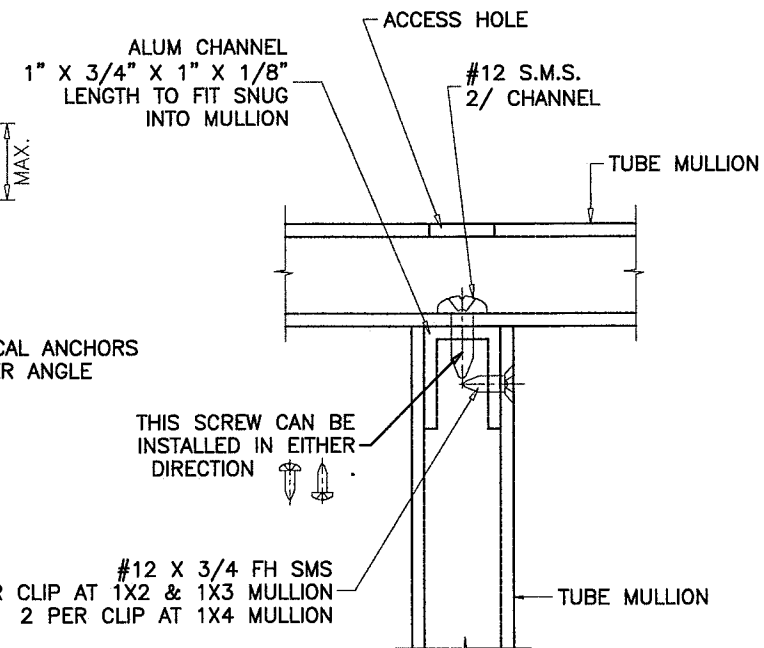
INTO METAL STRUCTURES



THRU 1BY BUCKS INTO CONC. OR MASONRY



DIRECTLY INTO CONC. OR MASONRY



ANCHOR DETAIL #1

#12 X 3/4 FH SMS
1 PER CLIP AT 1X2 & 1X3 MULLION
2 PER CLIP AT 1X4 MULLION

THIS SCREW CAN BE
INSTALLED IN EITHER
DIRECTION

PRODUCT REVISED
as complying with the Florida
Building Code
NOA-No. 20-0610.08
Expiration Date 04/26/2022
By *[Signature]*
Miami-Dade Product Control

Revision: A) NO CHANGES THIS SHEET.
AK - 05/14/20

PREPARED BY A. LYNN MILLER
1070 TECHNOLOGY DRIVE
N. VENICE, FL 34275
(941) 480-1600

**Impact Resistant
Windows & Doors**
WE'RE STRONGER™
CGI DOORS AND WINDOWS, INC.
3780 W 104TH STREET
HIALEAH, FL 33018
(305) 593-6590

REGISTRATION #29296
05/14/20
AGK
MD-MUL238
7 OF 7
MUL238
INSTALLATION DETAILS
238 FLANGE FRAME CLIPPED MULLION

ANTHONY LYNN MILLER
LICENSE
No. 58705
a2
6/5/20
STATE OF
FLORIDA
PROFESSIONAL ENGINEER
A. LYNN MILLER, P.E.
P.E.# 58705