



MIAMI-DADE COUNTY
PRODUCT CONTROL SECTION

11805 SW 26 Street, Room 208
Miami, FL 33175

T (786) 315-2590 F (786) 315-2599

DEPARTMENT OF REGULATORY AND ECONOMIC RESOURCES (RER)
BOARD AND CODE ADMINISTRATION DIVISION

www.miamidade.gov/economy

NOTICE OF ACCEPTANCE (NOA)

CGI Windows and Doors, Inc.
3780 W 104th Street
Hialeah, FL 33018

SCOPE:

This NOA is being issued under the applicable rules and regulations governing the use of construction materials. The documentation submitted has been reviewed and accepted by Miami-Dade County RER - Product Control Section to be used in Miami Dade County and other areas where allowed by the Authority Having Jurisdiction (AHJ).

This NOA shall not be valid after the expiration date stated below. The Miami-Dade County Product Control Section (In Miami Dade County) and/or the AHJ (in areas other than Miami Dade County) reserve the right to have this product or material tested for quality assurance purposes. If this product or material fails to perform in the accepted manner, the manufacturer will incur the expense of such testing and the AHJ may immediately revoke, modify, or suspend the use of such product or material within their jurisdiction. RER reserves the right to revoke this acceptance, if it is determined by Miami-Dade County Product Control Section that this product or material fails to meet the requirements of the applicable building code.

This product is approved as described herein, and has been designed to comply with the Florida Building Code, including the High Velocity Hurricane Zone.

DESCRIPTION: Series Clipped Mullion – L.M.I.

APPROVAL DOCUMENT: Drawing No. MD-MULCLIP, titled "Clipped Mullion", sheets 1 through 7 of 7, dated 05/22/2020, prepared by manufacturer, signed and sealed by Anthony Lynn Miller, P.E., bearing the Miami-Dade County Product Control Revision stamp with the Notice of Acceptance number and expiration date by the Miami-Dade County Product Control Section.

MISSILE IMPACT RATING: Large and Small Missile Impact Resistant

LABELING: Each unit shall bear a permanent label with the manufacturer's name or logo, city, state, model/series, and following statement: "Miami-Dade County Product Control Approved", unless otherwise noted herein.

RENEWAL of this NOA shall be considered after a renewal application has been filed and there has been no change in the applicable building code negatively affecting the performance of this product.

TERMINATION of this NOA will occur after the expiration date or if there has been a revision or change in the materials, use, and/or manufacture of the product or process. Misuse of this NOA as an endorsement of any product, for sales, advertising or any other purposes shall automatically terminate this NOA. Failure to comply with any section of this NOA shall be cause for termination and removal of NOA.

ADVERTISEMENT: The NOA number preceded by the words Miami-Dade County, Florida, and followed by the expiration date may be displayed in advertising literature. If any portion of the NOA is displayed, then it shall be done in its entirety.

INSPECTION: A copy of this entire NOA shall be provided to the user by the manufacturer or its distributors and shall be available for inspection at the job site at the request of the Building Official.

This NOA **revises NOA# 18-0129.08** and consists of this page 1 and evidence pages E-1 and E-2, as well as approval document mentioned above.

The submitted documentation was reviewed by **Sifang Zhao, P.E.**



S.Z.
09/24/2020

NOA No. 20-0610.10
Expiration Date: March 28, 2023
Approval Date: September 24, 2020
Page 1

CGI Windows and Doors, Inc.

NOTICE OF ACCEPTANCE: EVIDENCE SUBMITTED

1. EVIDENCE SUBMITTED UNDER PREVIOUS NOA's

A. DRAWINGS

1. Manufacturer's die drawings and sections. *(Submitted under NOA No. 95-0929.39)*
2. Drawing No. M95-13A, titled Series Clipped, Extruded Aluminum Tube Mullion – L.M.I.", sheets 1, 2, 3, 3.1, 4, 4.1 and 5 of 5, dated 11/25/95, with revision H dated 01/16/18, prepared by Al-Farooq Corporation, signed, sealed by Javad Ahmad, P.E.

B. TESTS

1. Test reports on: 1) Air Infiltration Test, per FBC, TAS 201-94
2) Uniform Static Air Pressure Test, Loading per FBC, TAS 202-94
3) Water Resistance Test, per FBC, TAS 202-94
4) Small Missile Impact Test per FBC, TAS 201-94
5) Large Missile Impact Test per FBC, TAS 201-94

along with marked-up drawings and installation diagram of casement windows mullied using a 1"x 2"x 1/8" aluminum tube mullion, prepared by Hurricane Testing Lab, Inc., Test Report No. **HTL-0080-0105-08**, dated 03/26/08 for Specimens No. 1 and 2, signed and sealed by Vinu J. Abraham, P.E. *(Submitted under NOA No. 08-0331.07)*

2. Test reports on: 1) Large Missile Impact Test, Loading per SFBC, PA 201-94 along with marked-up drawings and installation diagram of an aluminum fixed window, prepared by Hurricane Test Laboratory, Inc. Test Report No. **HTL-0080-0303-96**, dated 03/06/96, signed and sealed by Timothy S. Marshall, P.E. *(Submitted under NOA No. 95-0929.39)*
3. Test reports on: 1) Uniform Static Air Pressure Test, Loading per SFBC, PA 202-94 along with marked-up drawings and installation diagram of fixed windows mullied using a 1"x 2"x 1/8" aluminum tube mullion, prepared by Hurricane Engineering & Testing, Inc., Test Report No. **HETI-96-525**, dated 02/12/96, signed and sealed by Hector M. Medina, P.E. *(Submitted under NOA No. 95-0929.39)*

C. CALCULATIONS

1. Anchor verification calculations and structural analysis, complying with **FBC 5th Edition (2014)**, dated 04/13/15 and 07/25/15, prepared by Al-Farooq Corporation, signed and sealed by Javad Ahmad, P.E.
2. Glazing complies with **ASTM E1300-09**

D. QUALITY ASSURANCE

1. Miami-Dade Department of Regulatory and Economic Resources (RER).

E. MATERIAL CERTIFICATIONS

1. None



Sifang Zhao, P.E.
Product Control Examiner
NOA No. 20-0610.10
Expiration Date: March 28, 2023
Approval Date: September 24, 2020

CGI Windows and Doors, Inc.

NOTICE OF ACCEPTANCE: EVIDENCE SUBMITTED

F. STATEMENTS

1. Statement letter of conformance, complying with FBC 5th Edition (2014), with FBC 6th Edition (2017), and of no financial interest, dated October 4, 2017, issued by Al-Farooq Corporation, signed and sealed by Javad Ahmad, P.E.

G. OTHERS

1. NOA No. **15-0420.08**, issued to CGI Windows & Doors for their Series “Clipped” Aluminum Tube Mullion – L.M.I., approved on 08/13/15 and expiring on 03/28/18.

2. NEW EVIDENCE SUBMITTED

A. DRAWINGS

1. Drawing No. MD-MULCLIP, titled “Clipped Mullion”, sheets 1 through 7 of 7, dated 05/22/2020, prepared by manufacturer, signed and sealed by Anthony Lynn Miller, P.E.

B. TESTS

1. None.

C. CALCULATIONS

1. Anchor verification calculations and structural analysis, complying with **FBC-6th Edition (2017)** and **FBC-7th (2020)** dated 06/05/2020, prepared by manufacturer, signed and sealed by Anthony Lynn Miller, P.E.

D. QUALITY ASSURANCE

1. Miami-Dade Department of Regulatory and Economic Resources (RER)

E. MATERIAL CERTIFICATIONS

1. None.

F. STATEMENTS

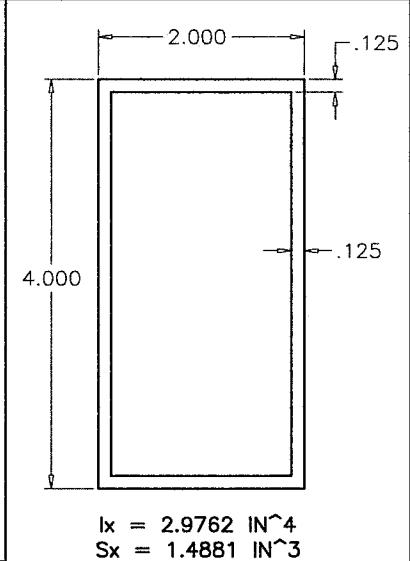
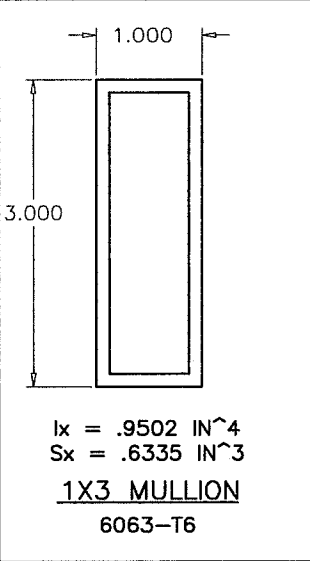
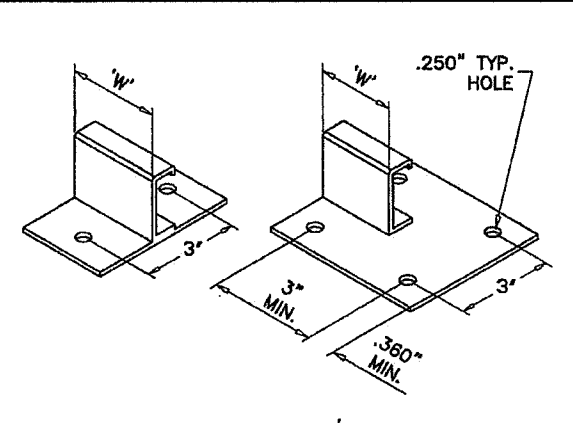
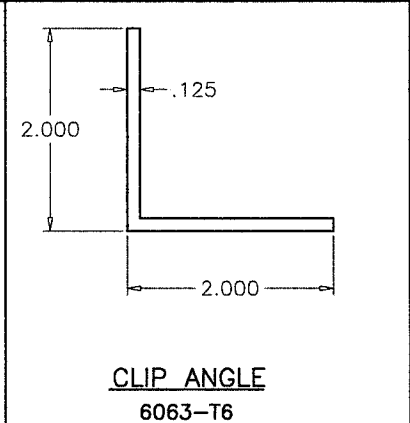
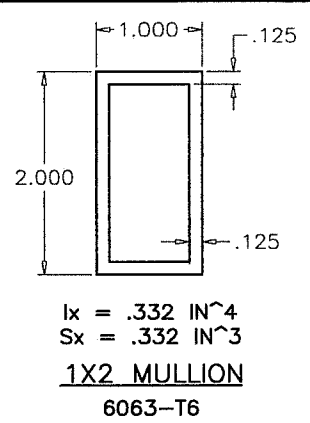
1. Statement letter of conformance, complying with **FBC 6th Edition (2017)** and with **FBC 7th Edition (2020)**, and of no financial interest, dated 05/22/2020, signed and sealed by Anthony Lynn Miller, P.E.
2. Statement letter of successor engineer per 61G15-27.001 Florida Administrative Code.

G. OTHERS

1. NOA No. **18-0129.08**, issued to CGI Windows & Doors for their Series “Clipped” Aluminum Tube Mullion – L.M.I., approved on 03/19/18 and expiring on 03/28/23.

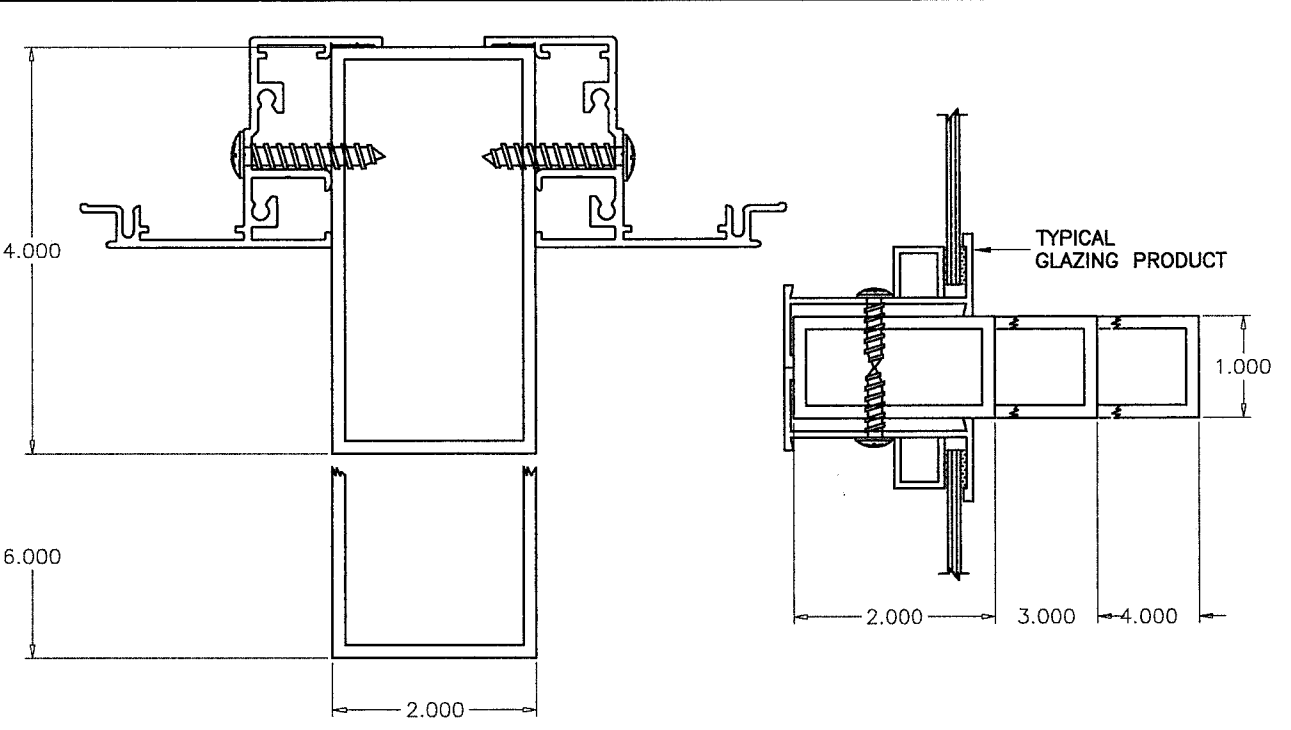
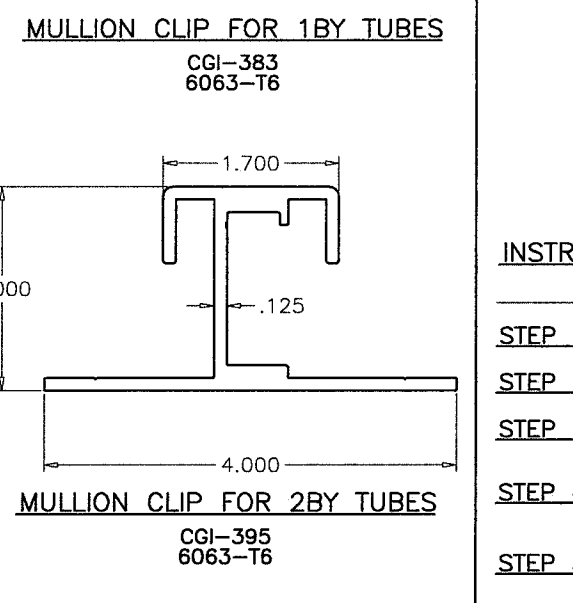
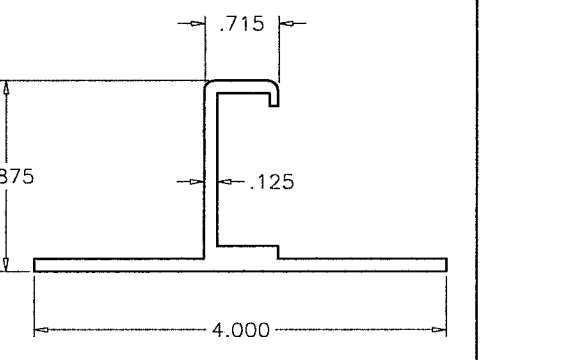
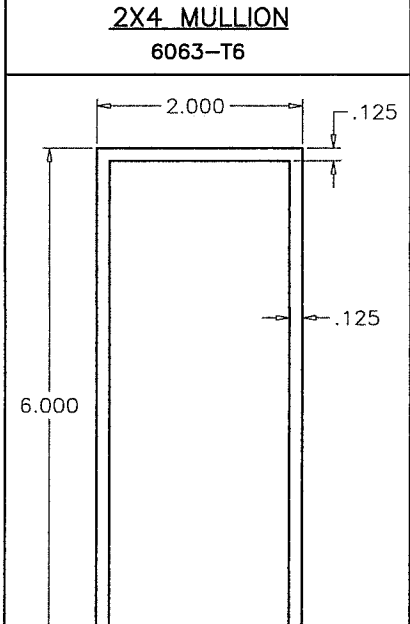
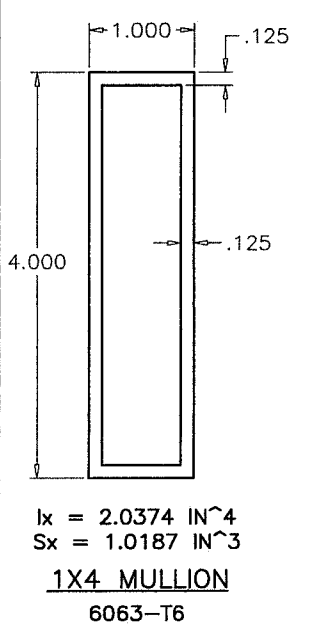


Sifang Zhao, P.E.
Product Control Examiner
NOA No. 20-0610.08
Expiration Date: March 28, 2023
Approval Date: September 24, 2020



'W' DIMENSION

MULLION	'W' - IN.
2"	1.688
3"	2.688
4"	3.688
6"	5.688



**MULLIONS CONTAINING TYPICAL GLAZING PRODUCTS
 HORIZONTAL OR VERTICAL**

SEE WINDOW OR DOOR APPROVAL FOR FASTENERS SIZES AND SPACING

MULLION SYSTEM IS RATED FOR LARGE MISSILE IMPACT.
 AND CAN BE USED WITH ALL MIAMI-DADE COUNTY APPROVED
 IMPACT AND NON-IMPACT RESISTANT PRODUCTS.

NOTES:

THIS PRODUCT HAS BEEN DESIGNED AND TESTED TO COMPLY WITH THE REQUIREMENTS OF THE 2017 (6TH EDITION)/2020 (7TH EDITION) FLORIDA BUILDING CODE INCLUDING HIGH VELOCITY HURRICANE ZONE (HVHZ).

ALL GLAZING PRODUCTS USED WITH THESE MULLIONS MUST MEET THE APPLICABLE CODE REQUIREMENTS I.E.: WIND LOAD, WATER INFILTRATION, FORCED ENTRY RESISTANCE, SAFEGUARDS ETC.

1BY OR 2BY WOOD BUCKS & BUCK FASTENERS BY OTHERS, MUST BE DESIGNED AND INSTALLED ADEQUATELY TO TRANSFER APPLIED PRODUCT LOADS TO THE BUILDING STRUCTURE.

ANCHORS SHALL BE CORROSION RESISTANT, SPACED AS SHOWN ON DETAILS AND INSTALLED PER MANUF'S INSTRUCTIONS. SPECIFIED EMBEDMENT TO BASE MATERIAL SHALL BE BEYOND WALL DRESSING OR STUCCO.

A LOAD DURATION INCREASE IS USED IN DESIGN OF ANCHORS INTO WOOD ONLY.

ALL SHIMS TO BE HIGH IMPACT, NON-METALLIC AND NON-COMPRESSIBLE.

MATERIALS INCLUDING BUT NOT LIMITED TO STEEL/METAL SCREWS, THAT COME INTO CONTACT WITH OTHER DISSIMILAR MATERIALS SHALL MEET THE REQUIREMENTS OF THE 2017/2020 FLORIDA BLDG. CODE & ADOPTED STANDARDS.

THIS PRODUCT APPROVAL IS GENERIC AND DOES NOT PROVIDE INFORMATION FOR A SITE SPECIFIC PROJECT, I.E. LIFE SAFETY OF THIS PRODUCT, ADEQUACY OF STRUCTURE RECEIVING THIS PRODUCT AND SEALING AROUND OPENING FOR WATER INFILTRATION RESISTANCE ETC. CONDITIONS NOT SHOWN IN THIS DRAWING ARE TO BE ANALYZED SEPARATELY, AND TO BE REVIEWED BY BUILDING OFFICIAL.

INSTRUCTIONS:

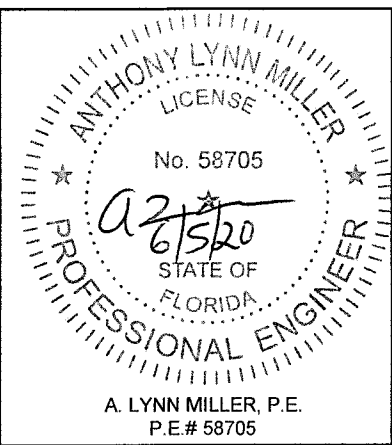
USE CHARTS AND GRAPHS AS FOLLOWS.

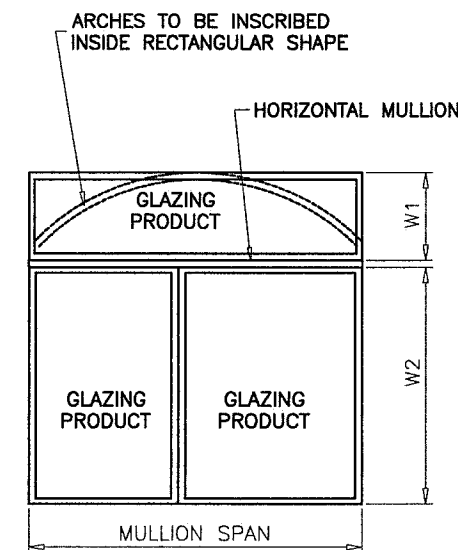
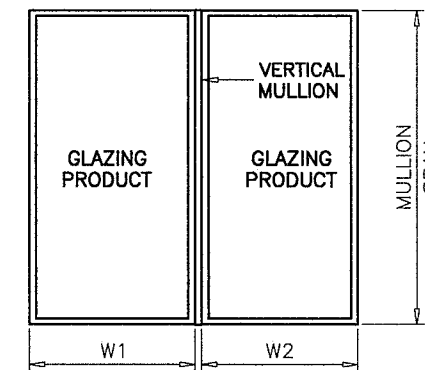
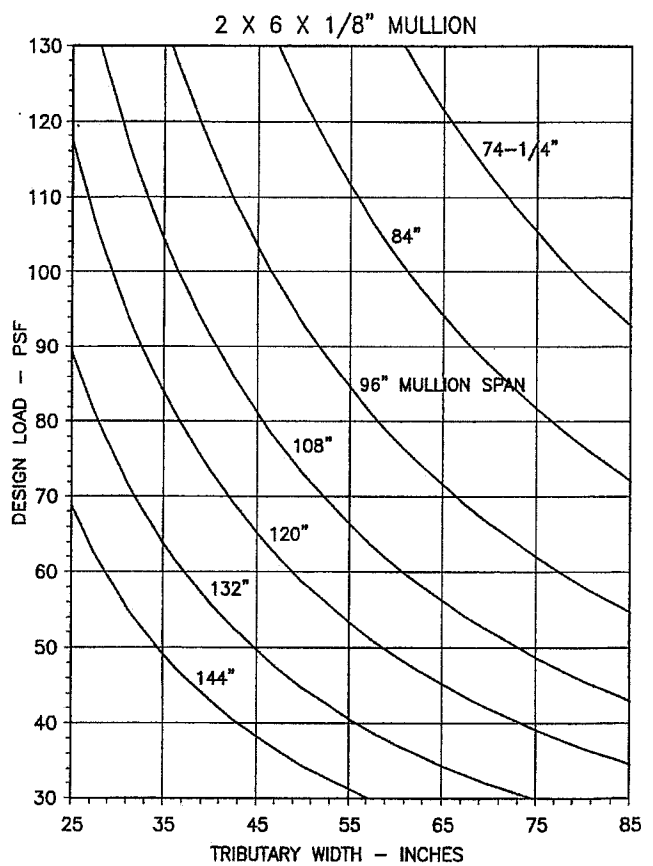
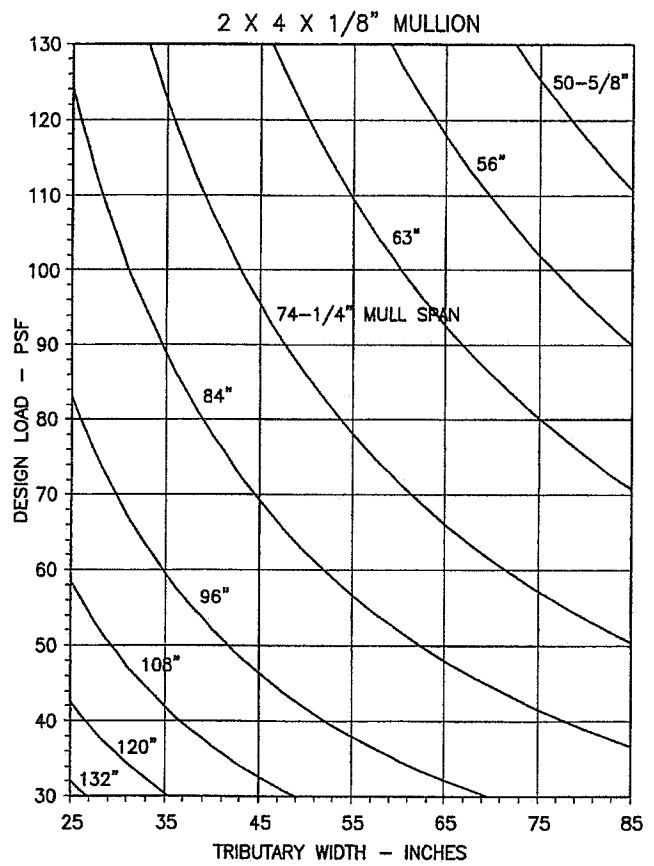
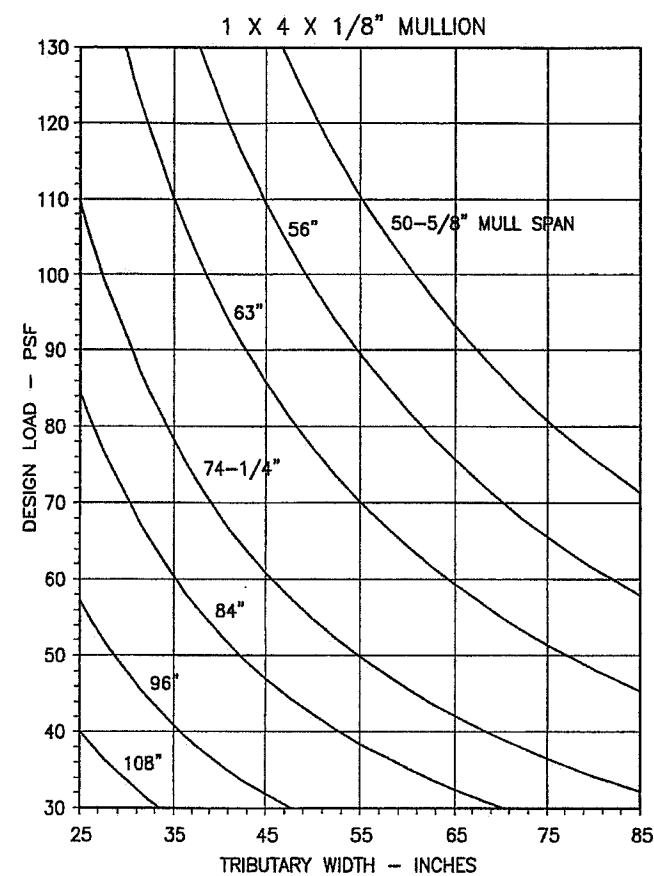
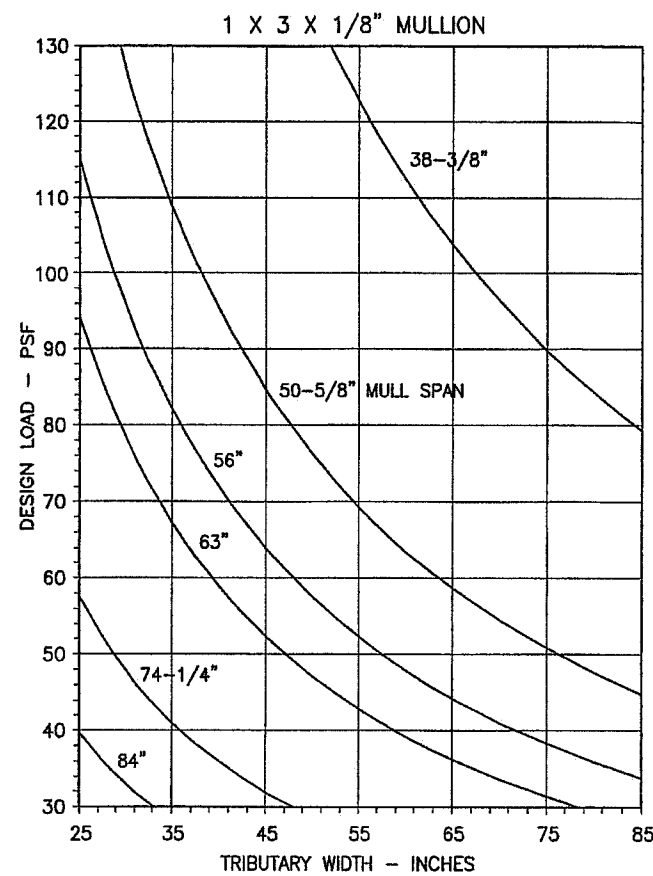
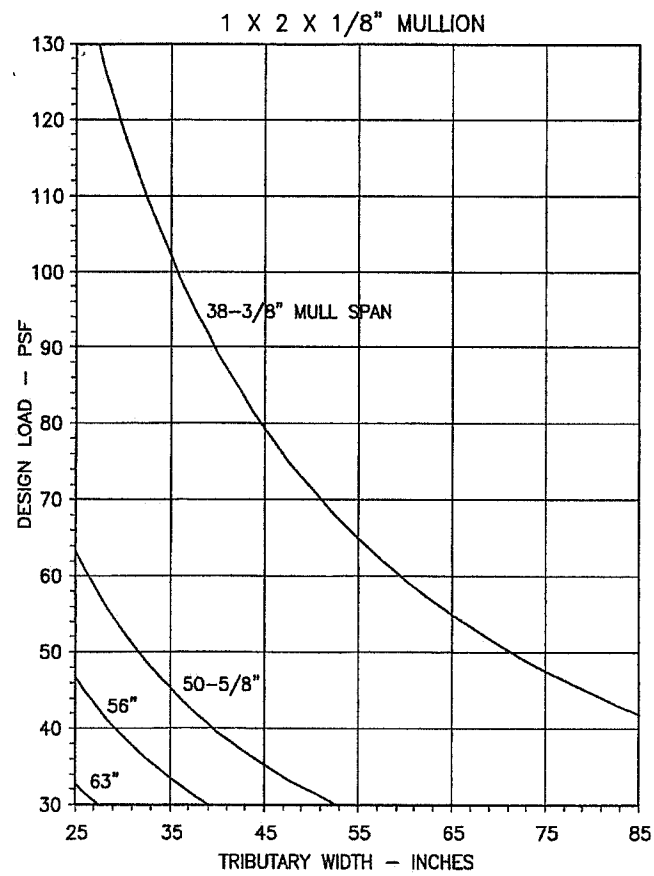
- STEP 1** DETERMINE DESIGN LOAD REQUIRED PER ASCE 7 FOR PARTICULAR OPENING.
- STEP 2** USE DADE COUNTY APPROVED GLAZING PRODUCTS MEETING ABOVE LOAD REQUIREMENTS.
- STEP 3** USE CONNECTION TO MULLION AS PER PRODUCT APPROVAL.
- STEP 4** USING GRAPHS ON SHEET 2 SELECT MULLION SIZE WITH DESIGN RATING MORE THAN DESIGN LOAD SPECIFIED IN STEP 1 ABOVE.
- STEP 5** USING ANCHOR TYPES ON SHEETS 5 THRU 7, AND ANCHOR GRAPHS ON SHEETS 3 & 4, SELECT ANCHOR TYPE WITH DESIGN RATING MORE THAN THE DESIGN LOADS SPECIFIED IN STEP 1 ABOVE.

PRODUCT REVISED
 as complying with the Florida Building Code
NOA-No. 20-0610.10
Expiration Date 03/28/2023
 By *[Signature]*
Miami-Dade Product Control

Revision: A) UPDATED TO FBC 2020.
 AK - 05/22/20

PREPARED BY A. LYNN MILLER 1070 TECHNOLOGY DRIVE N. VENICE, FL 34275 (941) 480-1600	REGISTRATION #29296	Date	05/22/20
	EXTRUSIONS, INSTRUCTIONS, NOTES	Drawn By	AGK
Impact Resistant Windows & Doors WE'RE STRONGER™ CGI DOORS AND WINDOWS, INC. 3780 W 104TH STREET HIALEAH, FL 33018 (305) 593-6590	CLIPPED MULLION	No.	DWC
		Sheet	1 OF 7
MULCLP	NTS	Scale	
		Series	MD-MULCLP
		Rev.	A





TYPICAL MULLION ARRANGEMENTS

$$\text{WIDTH (W)} = \frac{W1 + W2}{2}$$

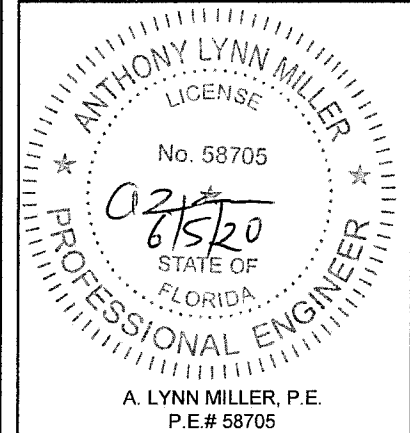
MULLIONS

NOTE:
MULLIONS RATED IN THESE CHARTS MAY BE ORIENTED VERTICALLY OR HORIZONTALLY.
(INTERPOLATION BETWEEN WIDTHS ALLOWED)

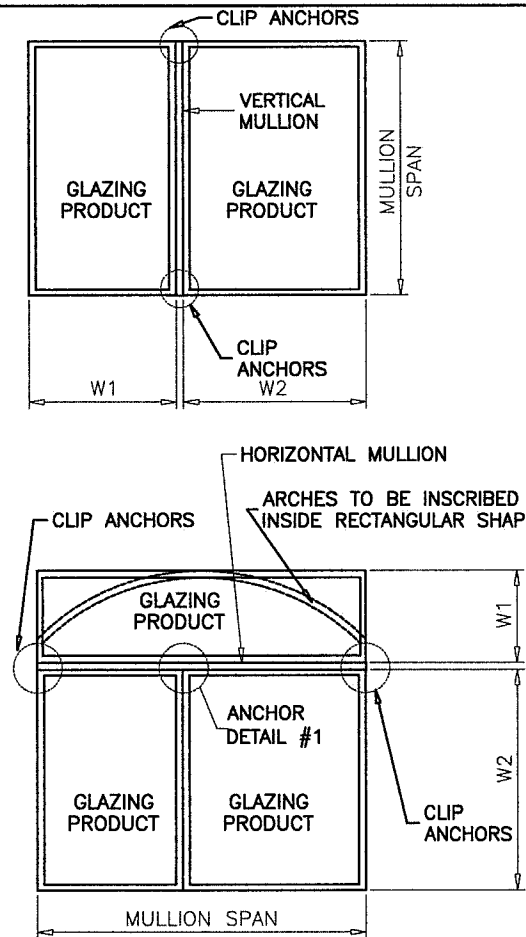
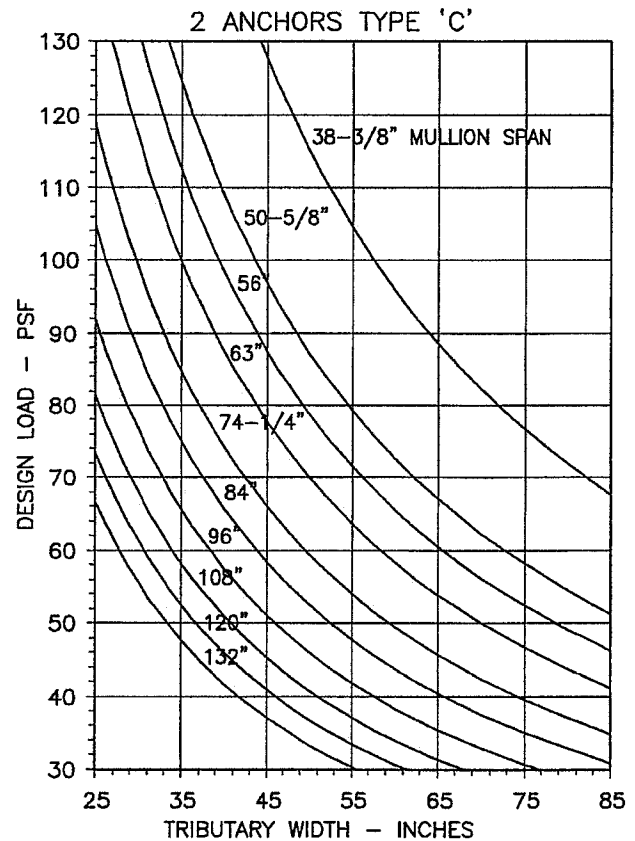
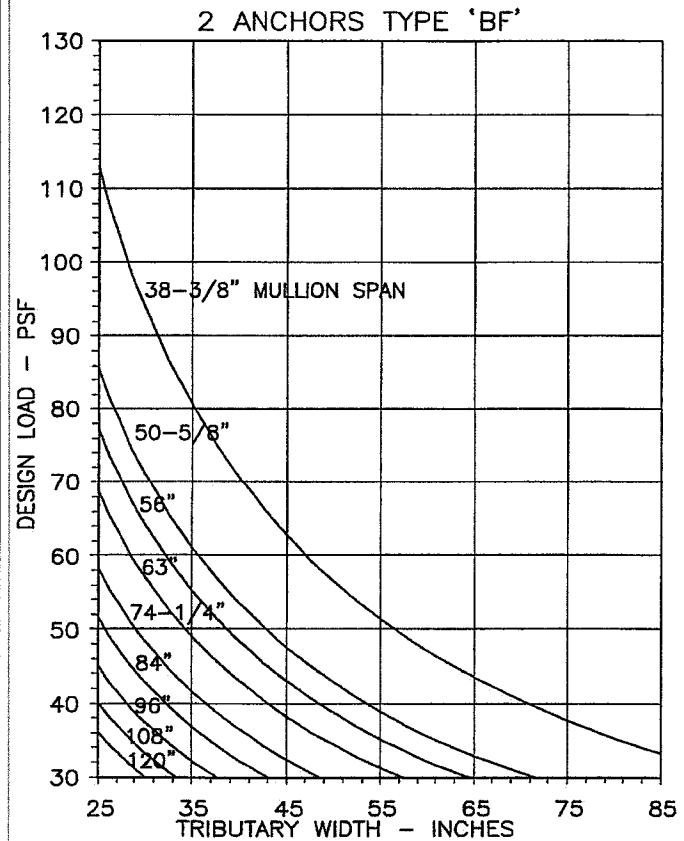
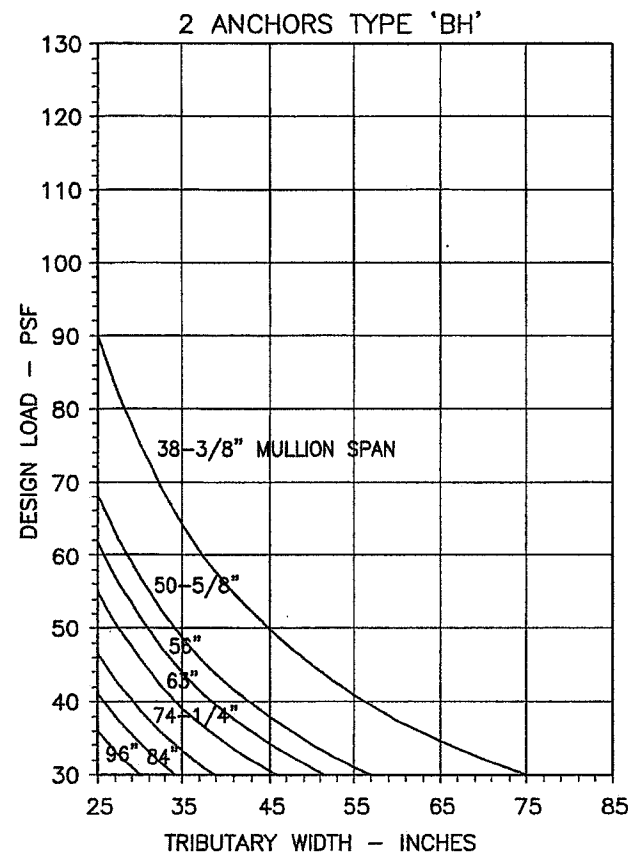
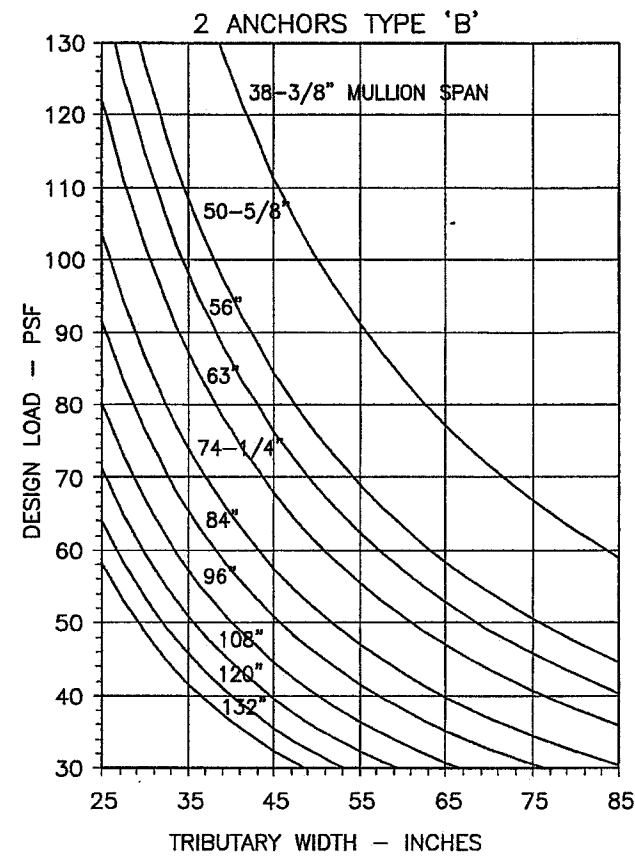
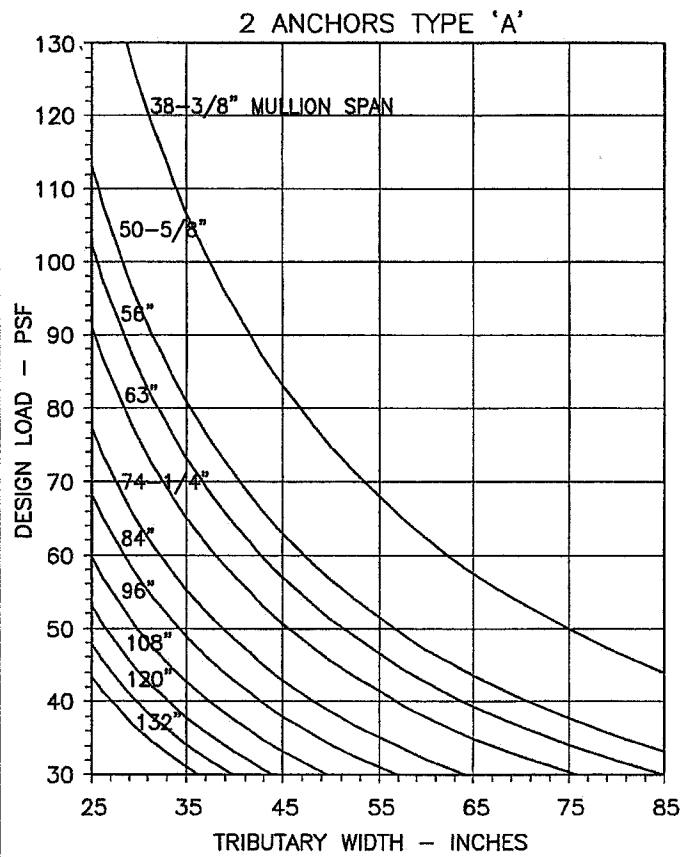
PRODUCT REVISED
as complying with the Florida Building Code
NOA-No. 20-0610.10
Expiration Date 03/28/2023
By *[Signature]*
Miami-Dade Product Control

Revision: A) NO CHANGES THIS SHEET.
AK - 05/22/20

PREPARED BY A. LYNN MILLER 1070 TECHNOLOGY DRIVE N. VENICE, FL 34275 (941) 480-1600	REGISTRATION #29296	Date	05/22/20	AGK	MD-MULCLP	A
		By				
Impact Resistant Windows & Doors WE'RE STRONGER™ CGI DOORS AND WINDOWS, INC. 3780 W 104TH STREET HIALEAH, FL 33018 (305) 593-6590	MULLION LOAD CHARTS	CLIPPED MULLION	MULCLP	NTS	2 OF 7	A



A. LYNN MILLER, P.E.
P.E.# 58705



TYPICAL MULLION ARRANGEMENTS

$$\text{WIDTH (W)} = \frac{W1 + W2}{2}$$

ANCHORS 'A'
 APPLICABLE TO ANCHORS INTO 2BY WOOD BUCKS OR WOOD STRUCTURES OR THRU 1BY WOOD BUCKS INTO CONCRETE

ANCHORS 'B'
 APPLICABLE TO ANCHORS INTO CONCRETE

ANCHORS 'BH'
 APPLICABLE TO ANCHORS DIRECTLY TO HOLLOW BLOCKS OR THRU 1BY WOOD BUCKS INTO BLOCKS

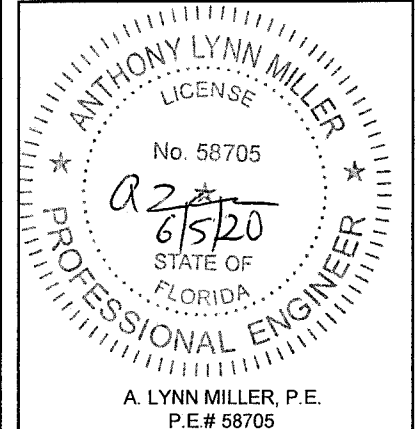
ANCHORS 'BF'
 APPLICABLE TO ANCHORS DIRECTLY TO GROUT FILLED BLOCKS OR THRU 1BY WOOD BUCKS INTO BLOCKS

ANCHORS 'C'
 APPLICABLE TO ANCHORS DIRECTLY TO METAL STRUCTURES

PRODUCT REVISED
 as complying with the Florida Building Code
 NOA-No. 20-0610.10
 Expiration Date 03/28/2023
 By *[Signature]*
 Miami-Dade Product Control

Revision: A) NO CHANGES THIS SHEET.
 AK - 05/22/20

PREPARED BY A. LYNN MILLER 1070 TECHNOLOGY DRIVE N. VENICE, FL 34275 (941) 480-1600	REGISTRATION #29296	Date	05/22/20	AGK	MD-MULCLP	A
		By	AGK			
Impact Resistant Windows & Doors WERE STRONGER™	ANCHOR LOAD CHARTS	CGI DOORS AND WINDOWS, INC. 3780 W 104TH STREET HIALEAH, FL 33018 (305) 593-6590	CLIPPED MULLION	MULCLP	3 OF 7	A
ANCHOR LOAD CHARTS			CLIPPED MULLION		MULCLP	

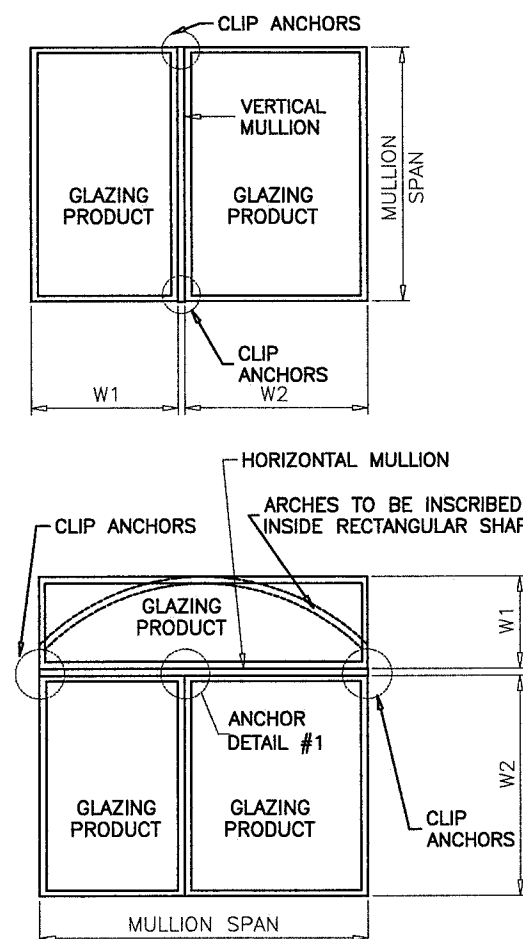
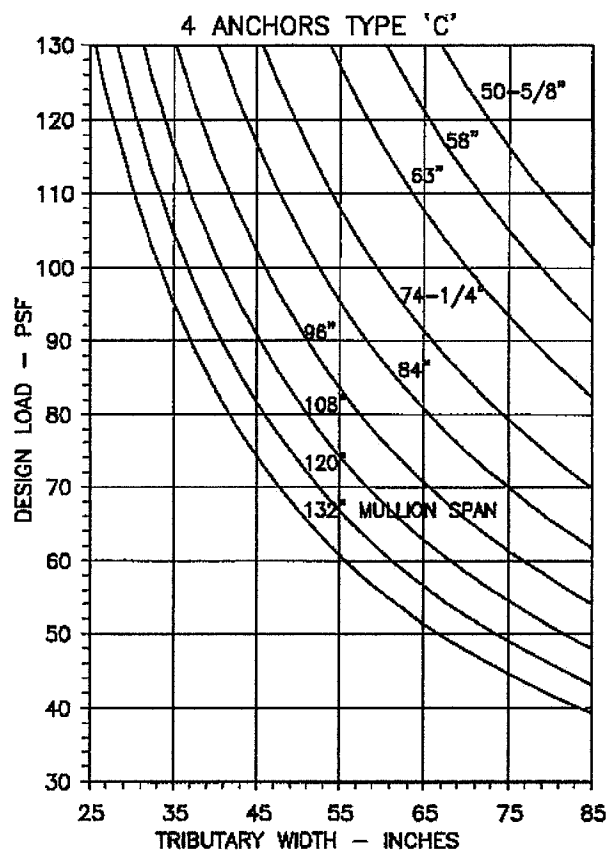
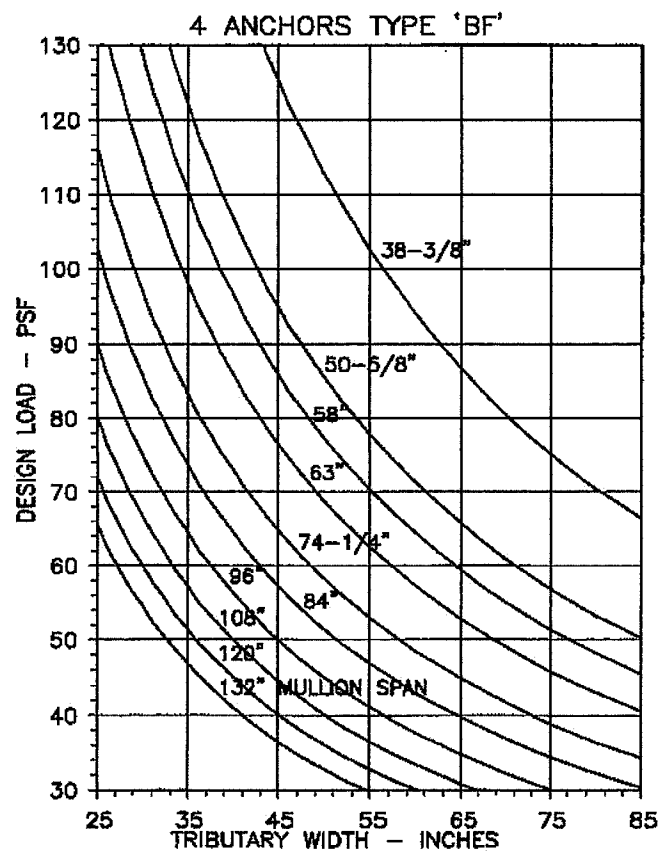
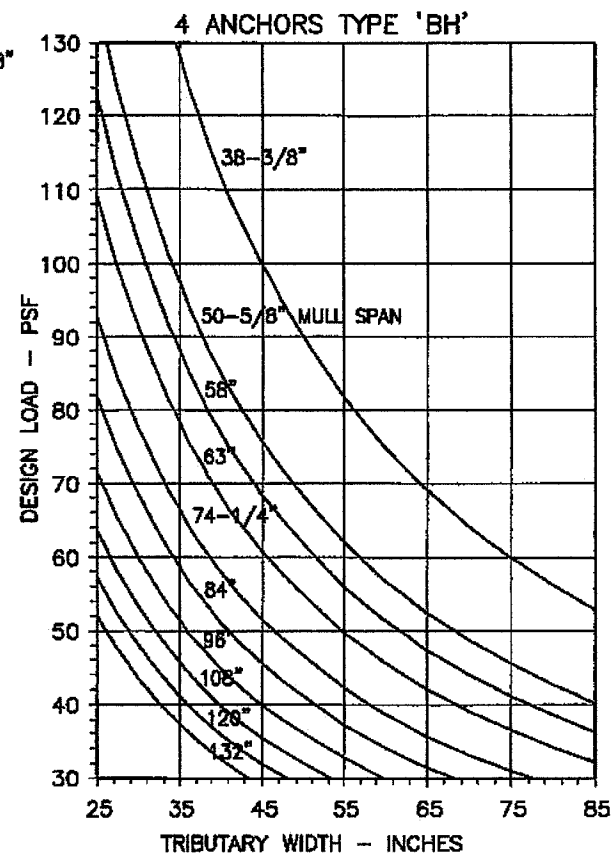
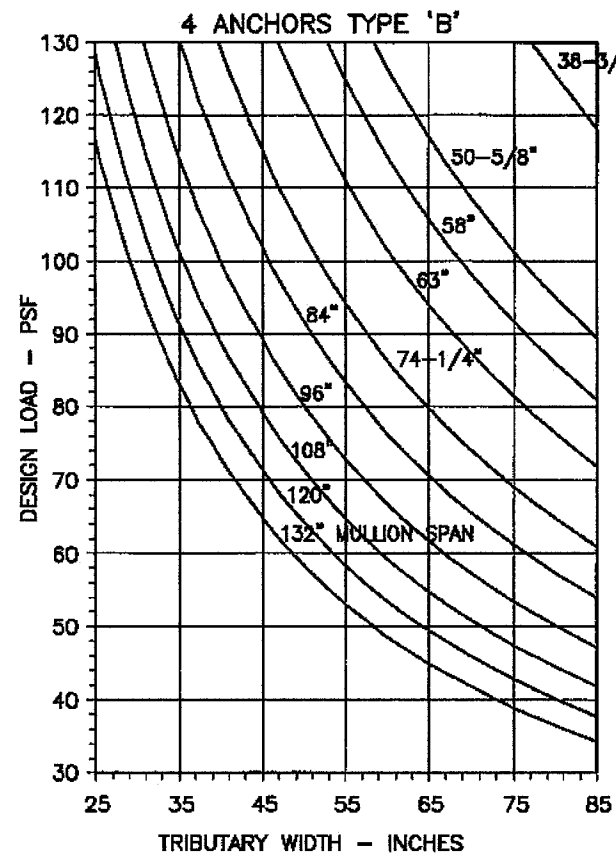
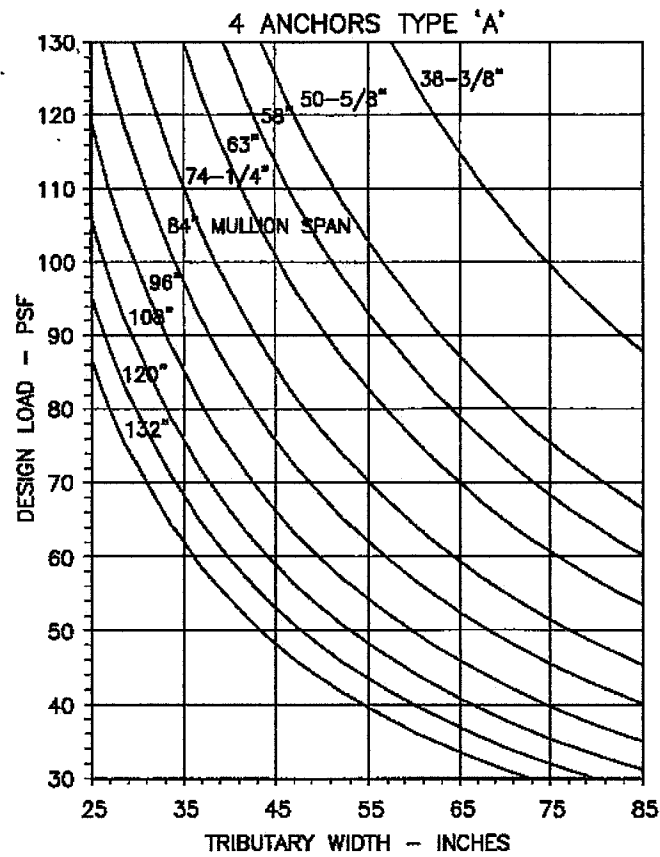


A. LYNN MILLER, P.E.
 P.E.# 58705

ANCHOR LOAD CHARTS

2 ANCHORS AT MULLION ENDS

NOTE:
 ANY ANCHOR CONDITION SHOWN HEREIN MAY COVER LOCATIONS AT HEAD, SILL OR JAMB ENDS.
 FOR ANCHOR DETAILS AND DESCRIPTION SEE SHEETS 5 THRU 7.
 (INTERPOLATION BETWEEN WIDTHS OR SPANS ALLOWED)



TYPICAL MULLION ARRANGEMENTS

$$\text{WIDTH (W)} = \frac{W1 + W2}{2}$$

ANCHORS 'A'
 APPLICABLE TO ANCHORS INTO 2BY WOOD BUCKS OR WOOD STRUCTURES OR THRU 1BY WOOD BUCKS INTO CONCRETE

ANCHORS 'B'
 APPLICABLE TO ANCHORS INTO CONCRETE

ANCHORS 'BH'
 APPLICABLE TO ANCHORS DIRECTLY TO HOLLOW BLOCKS OR THRU 1BY WOOD BUCKS INTO BLOCKS

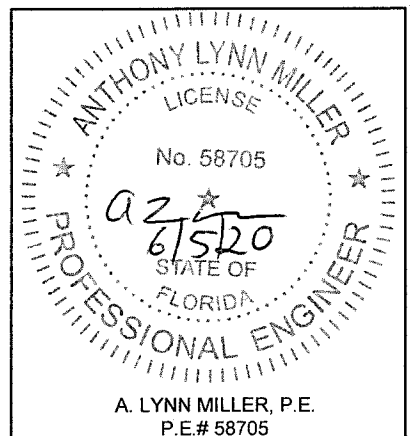
ANCHORS 'BF'
 APPLICABLE TO ANCHORS DIRECTLY TO GROUT FILLED BLOCKS OR THRU 1BY WOOD BUCKS INTO BLOCKS

ANCHORS 'C'
 APPLICABLE TO ANCHORS DIRECTLY TO METAL STRUCTURES

PRODUCT REVISED
 as complying with the Florida Building Code
 NOA-No. 20-0610.10
 Expiration Date 03/28/2023
 By *[Signature]*
 Miami-Dade Product Control

Revision: A) NO CHANGES THIS SHEET.
 AK - 05/22/20

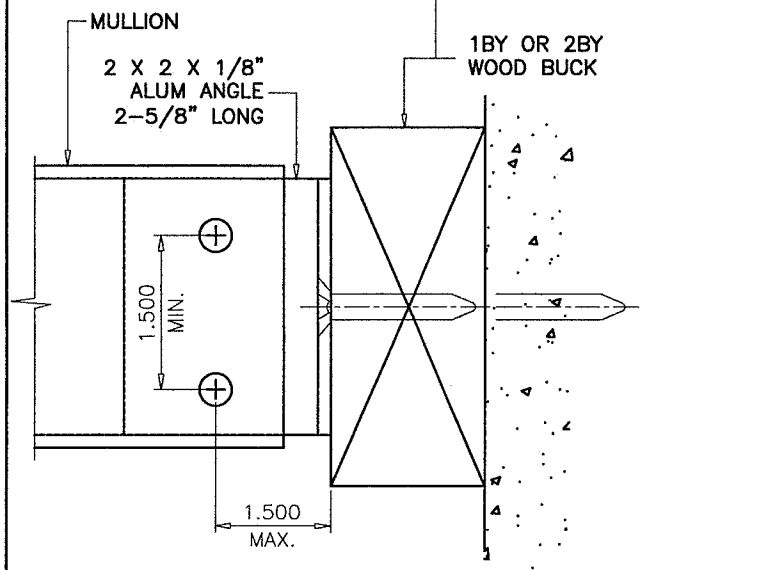
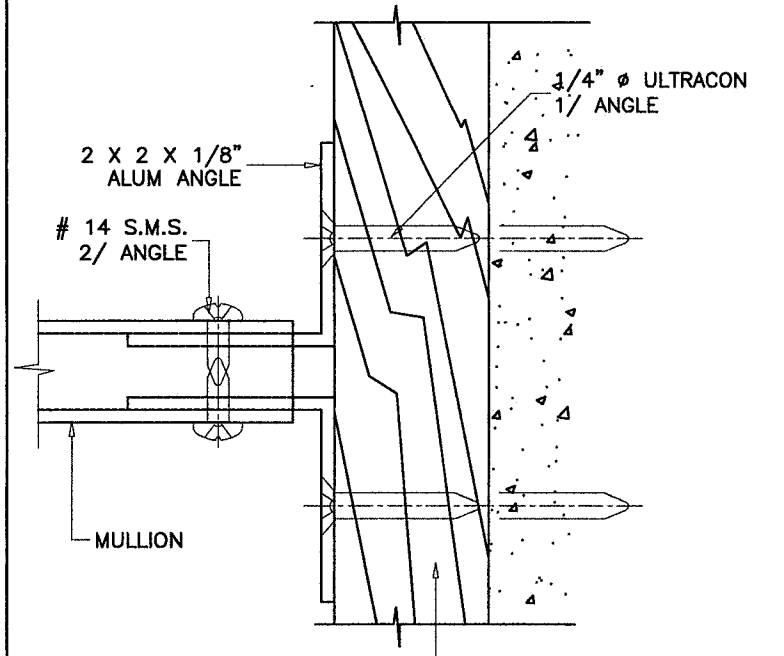
Prepared by A. LYNN MILLER 1070 TECHNOLOGY DRIVE N. VENICE, FL 34275 (941) 480-1600	REGISTRATION #29296	Date	05/22/20	Rev.	A
	CGI DOORS AND WINDOWS, INC. 3780 W 104TH STREET HIALEAH, FL 33018 (305) 593-6590	ANCHOR LOAD CHARTS	CLIPPED MULLION	AGK	MD-MULCLP
MULCLP				NTS 4 OF 7	



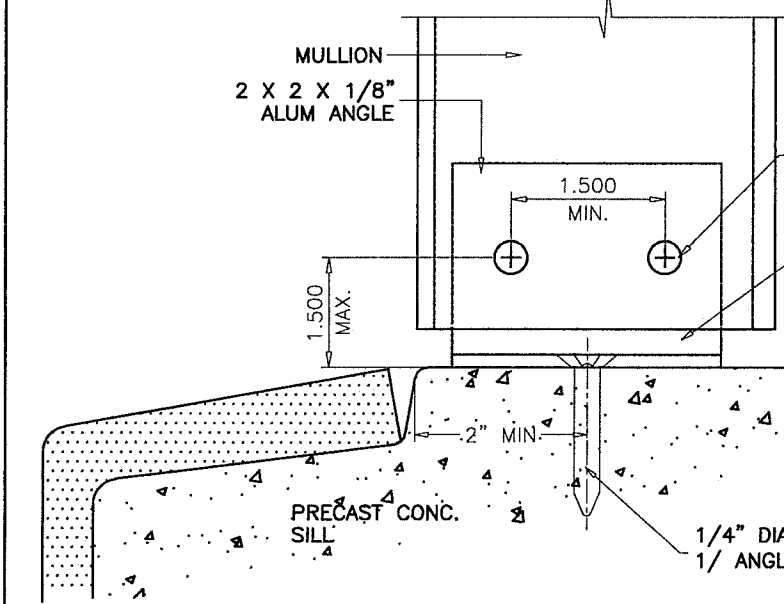
NOTE:
 ANY ANCHOR CONDITION SHOWN HEREIN MAY COVER LOCATIONS AT HEAD, SILL OR JAMB ENDS.
 FOR ANCHOR DETAILS AND DESCRIPTION SEE SHEETS 5 THRU 7.
 (INTERPOLATION BETWEEN WIDTHS OR SPANS ALLOWED)

ANCHOR LOAD CHARTS

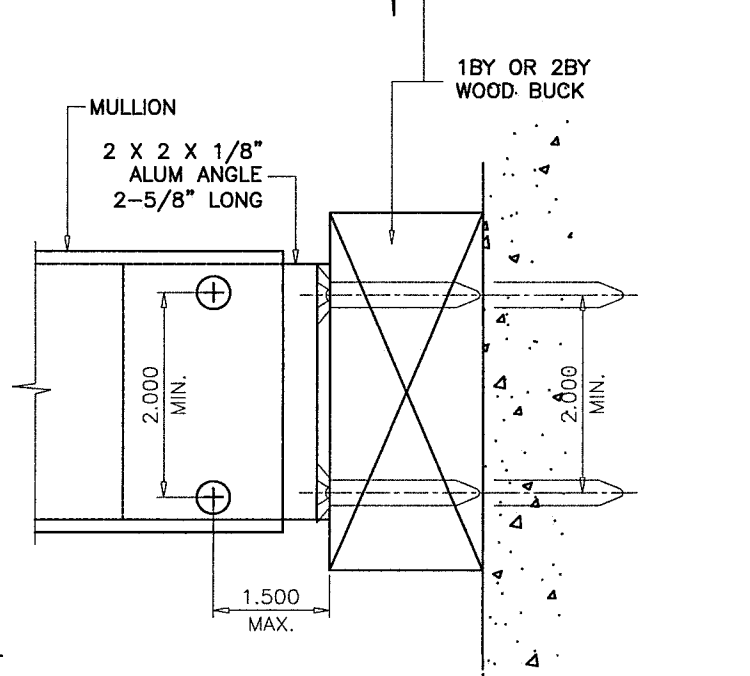
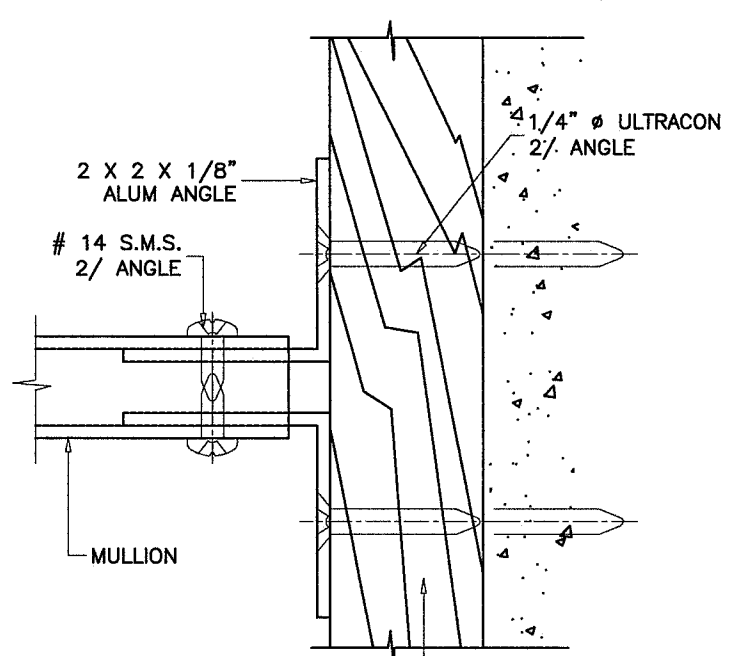
4 ANCHORS AT MULLION ENDS



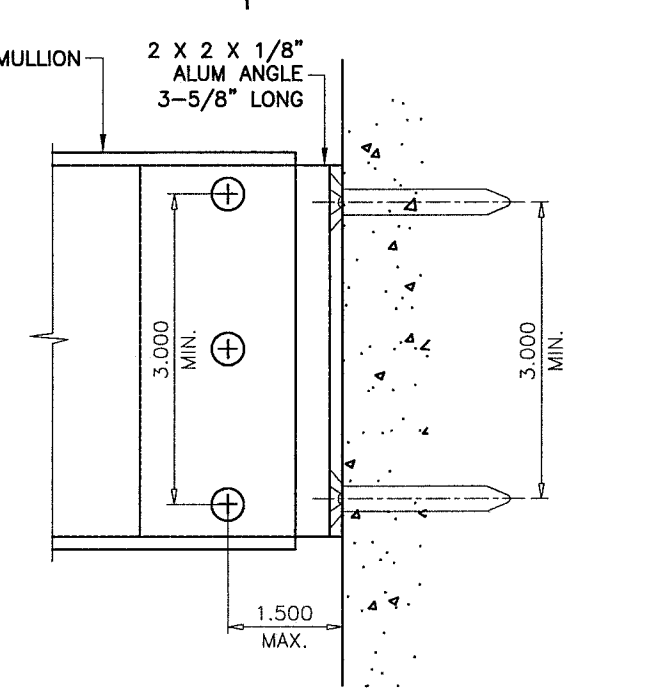
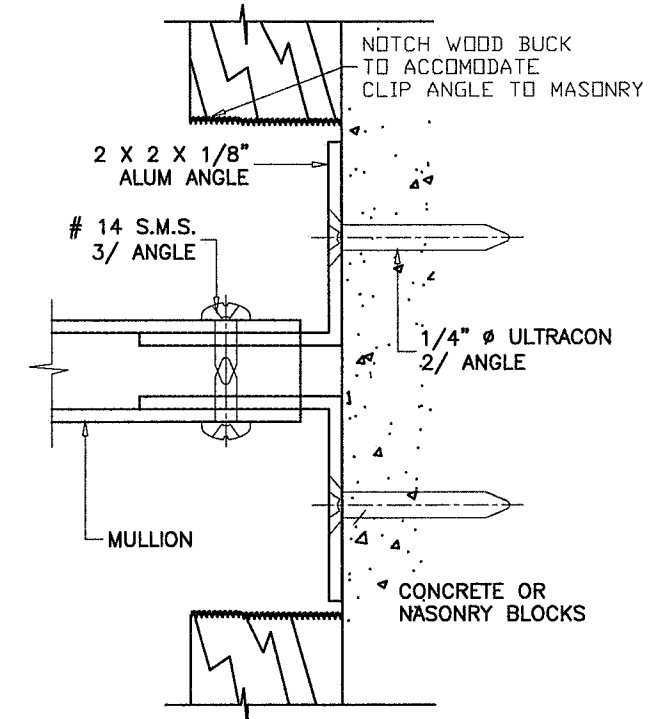
2 SCREWS PER SIDE REQUIRED FOR 3" TUBE MULLIONS
CLIP ANGLE ATTACHMENTS NOT APPLICABLE FOR 1"X2" TUBE MULL



PRECAST CONC. SILL
1/4" DIA. ULTRACON 1/ ANGLE



2 SCREWS PER SIDE REQUIRED FOR 3" TUBE MULLIONS
CLIP ANGLE ATTACHMENTS NOT APPLICABLE FOR 1"X2" TUBE MULL

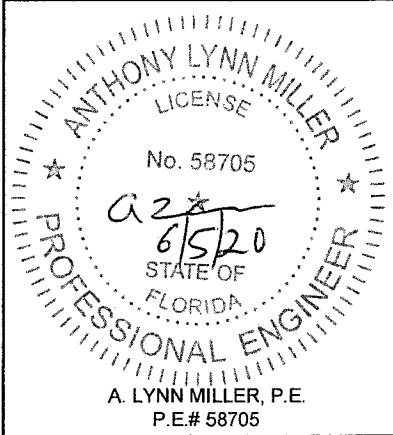


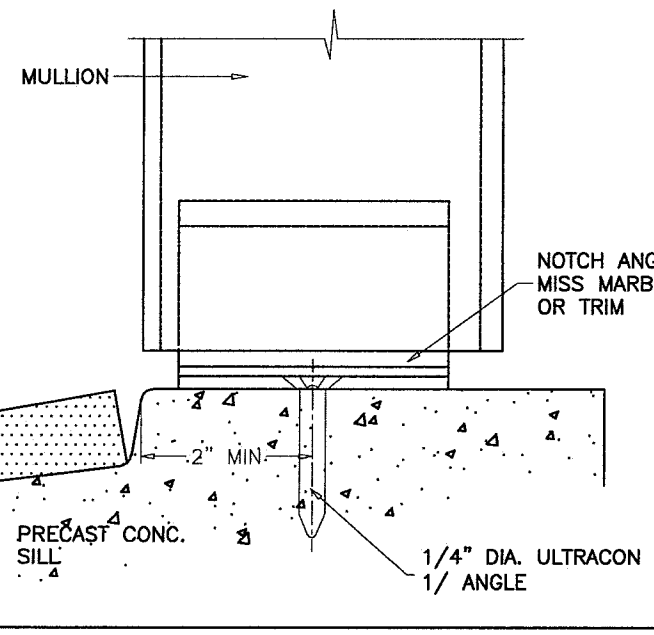
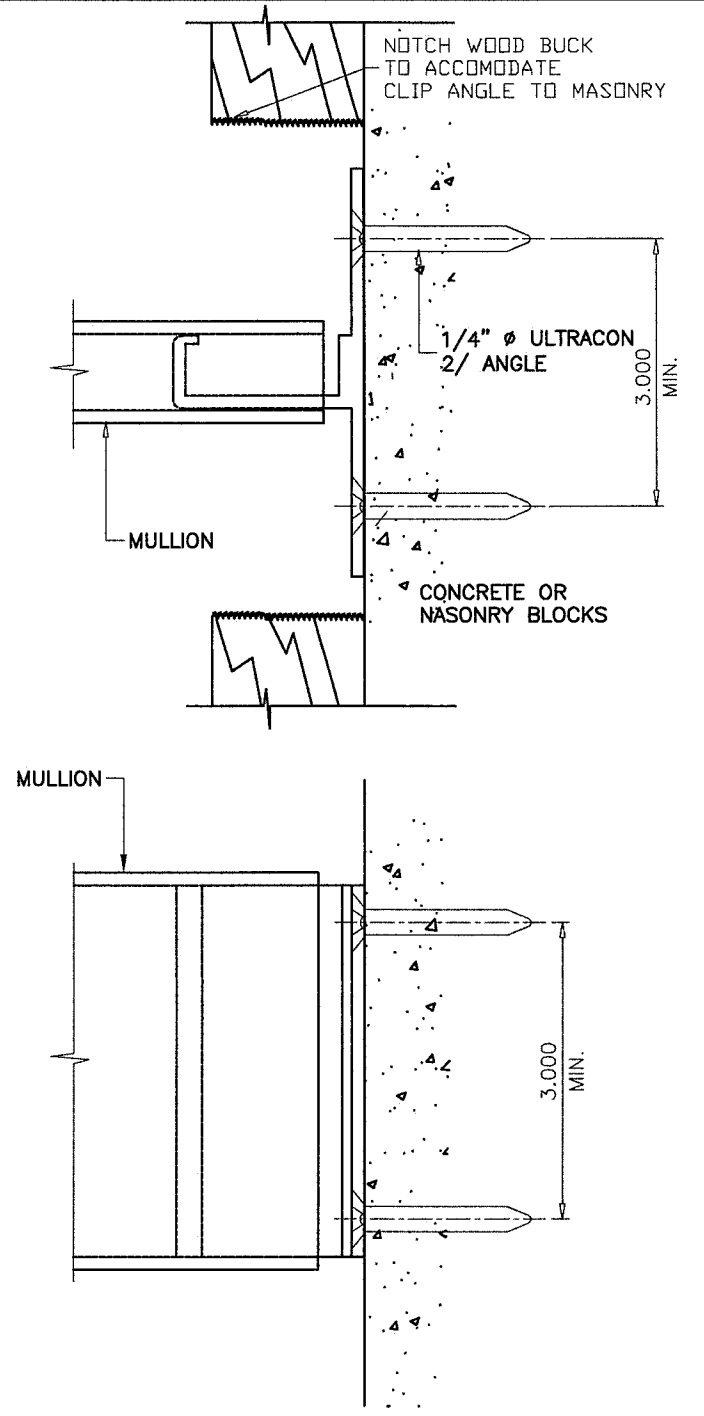
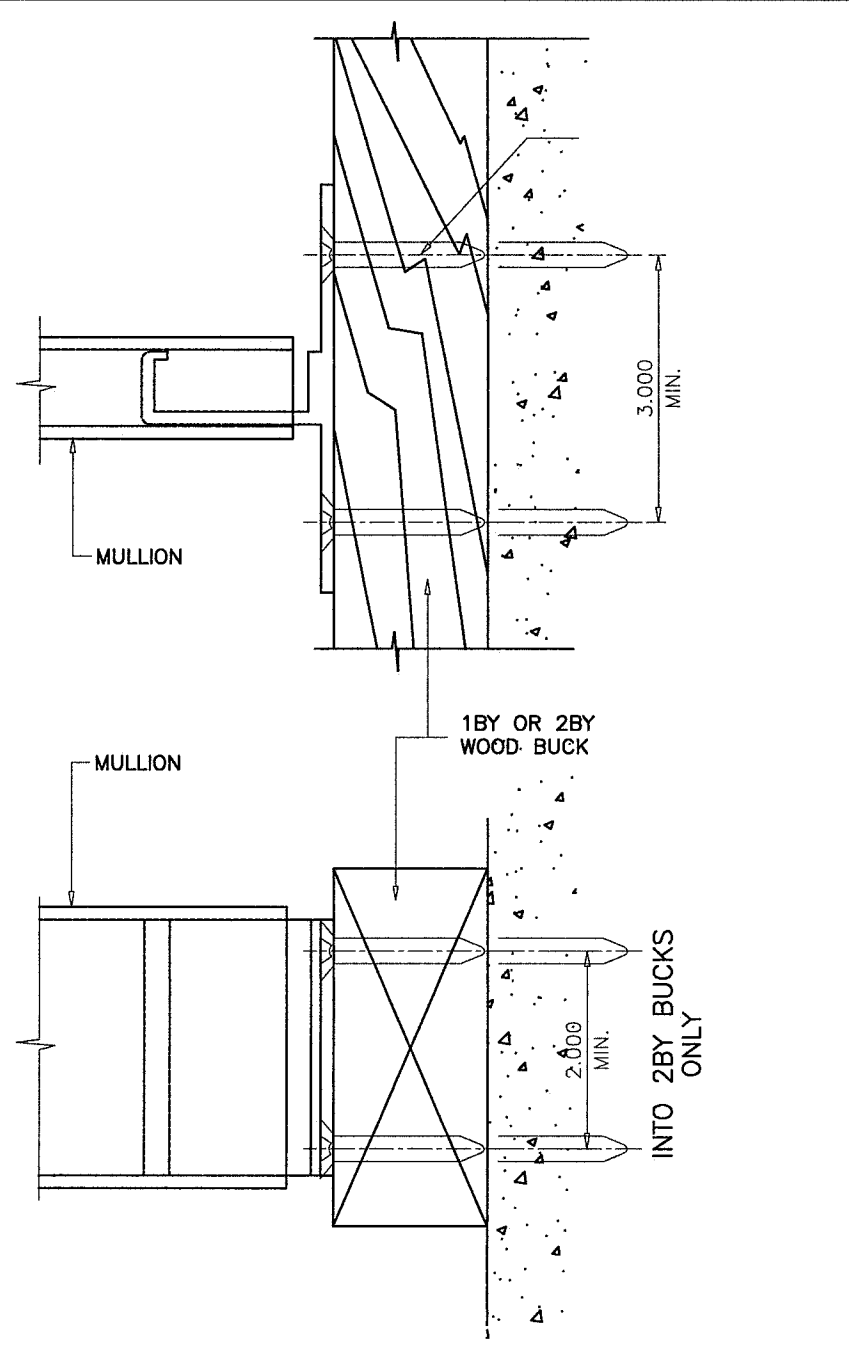
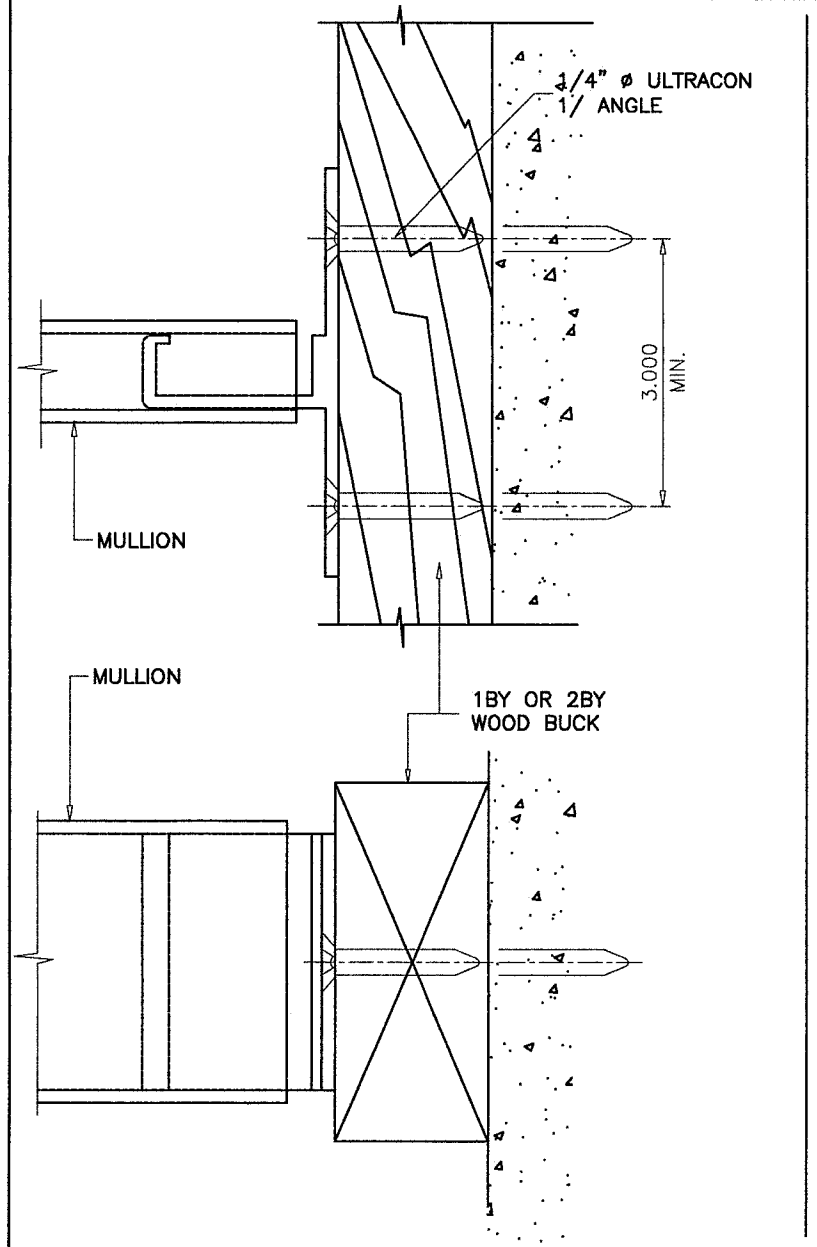
3 SCREWS PER SIDE REQUIRED FOR
4" & 6" TUBE MULLIONS

PRODUCT REVISED
as complying with the Florida
Building Code
NOA-No. 20-0610.10
Expiration Date 03/28/2023
By *[Signature]*
Miami-Dade Product Control

Revision: A) NO CHANGES THIS SHEET.
AK - 05/22/20

PREPARED BY A. LYNN MILLER 1070 TECHNOLOGY DRIVE N. VENICE, FL 34275 (941) 480-1600	REGISTRATION #29296 05/22/20	Rev. A
	Impact Resistant Windows & Doors WERE STRONGER™ CGI DOORS AND WINDOWS, INC. 3780 W 104TH STREET HIALEAH, FL 33018 (305) 593-6590	DWG No. 5 OF 7 Sheet
INSTALLATION DETAILS		Title
CLIPPED MULLION		Desc
MULCLP		Scale
NTS		Title



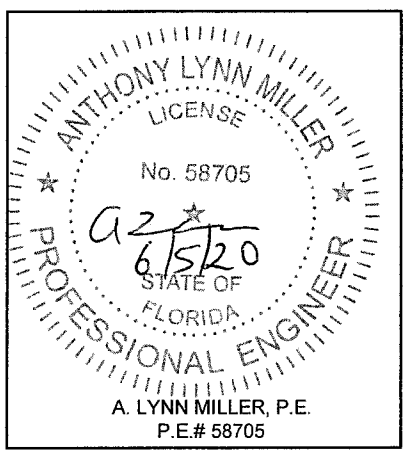


SEE SHEET 1 FOR APPLICABLE CLIP TO
1BY OR 2BY TUBE MULLIONS
AND FOR FABRICATION OPTIONS OF MULLION CLIPS

PRODUCT REVISED
as complying with the Florida
Building Code
NOA-No. 20-0610.10
Expiration Date 03/28/2023
By
Miami-Dade Product Control

Revision: A) NO CHANGES THIS SHEET.
AK - 05/22/20

PREPARED BY A. LYNN MILLER 1070 TECHNOLOGY DRIVE N. VENICE, FL 34275 (941) 480-1600 REGISTRATION #29296	Date	05/22/20	Rev.	A
	By	AGK	DWG No.	MD-MULCLP
Impact Resistant Windows & Doors WERE STRONGER™ CGI DOORS AND WINDOWS, INC. 3780 W 104TH STREET HIALEAH, FL 33018 (305) 593-6590	Scale	6 OF 7	Sheet	NTS
	Series	MULCLP	Title	CLIPPED MULLION



WOOD BUCKS AND METAL STRUCTURE NOT BY CGI WDW.
MUST SUSTAIN LOADS IMPOSED BY GLAZING SYSTEM
AND TRANSFER THEM TO THE BUILDING STRUCTURE.

TYPICAL ANCHORS: SEE ELEV. FOR SPACING

TYPE 'A' - 1/4" DIA. ULTRACON BY 'ELCO' (Fu=177 KSI, Fy=155 KSI)
1/4" DIA. ULTRACON+ BY 'DEWALT' (Fu=164 KSI, Fy=148 KSI)
INTO 2BY WOOD BUCKS OR WOOD STRUCTURES
1-1/2" MIN. PENETRATION INTO WOOD
THRU 1BY BUCKS INTO CONC. OR MASONRY
1-1/4" MIN. EMBED INTO CONC. OR MASONRY

TYPE 'B' - 1/4" DIA. ULTRACON BY 'ELCO' (Fu=177 KSI, Fy=155 KSI)
DIRECTLY INTO CONCRETE
1-1/2" MIN. EMBED INTO CONCRETE
1/4" DIA. ULTRACON+ BY 'DEWALT' (Fu=164 KSI, Fy=148 KSI)
DIRECTLY INTO CONCRETE
1-3/4" MIN. EMBED INTO CONCRETE

TYPE 'BH' - 1/4" DIA. ULTRACON BY 'ELCO' (Fu=177 KSI, Fy=155 KSI)
DIRECTLY INTO HOLLOW OR GROUT FILLED BLOCKS
1-1/4" MIN. EMBED INTO BLOCKS
1/4" DIA. ULTRACON+ BY 'DEWALT' (Fu=164 KSI, Fy=148 KSI)
DIRECTLY INTO HOLLOW OR GROUT FILLED BLOCKS
1-1/4" MIN. EMBED INTO BLOCKS
(MAY BE USED WITH 1" MIN. EDGE DISTANCE)

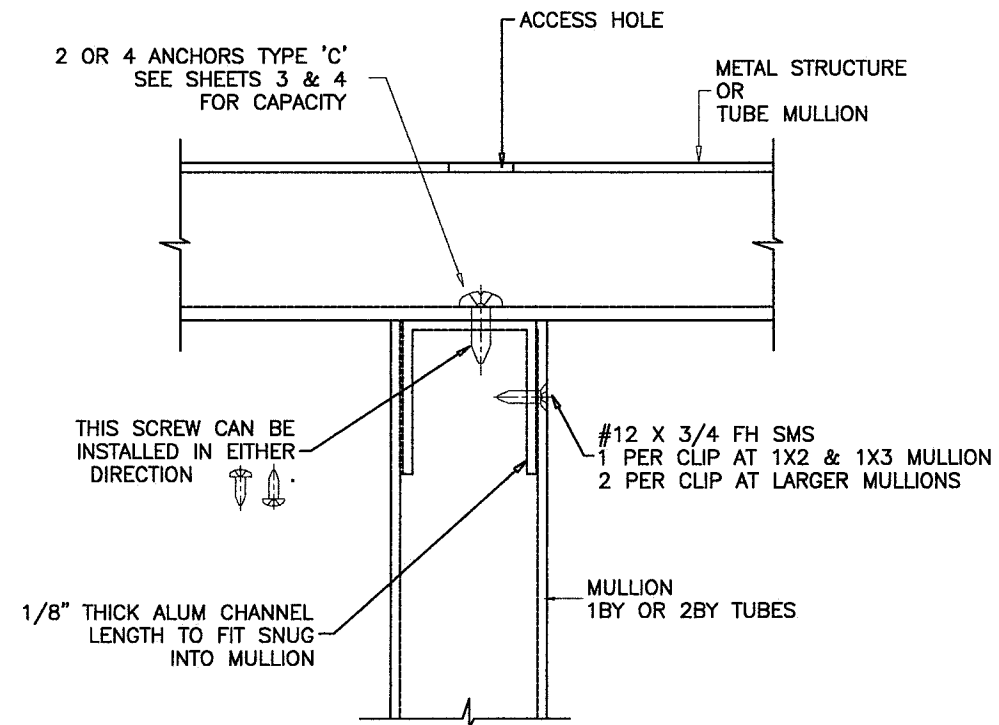
TYPE 'BF' - 1/4" DIA. ULTRACON BY 'ELCO' (Fu=177 KSI, Fy=155 KSI)
DIRECTLY INTO FILLED BLOCKS
1-3/4" MIN. EMBED INTO GROUT FILLED BLOCKS
1/4" DIA. ULTRACON+ BY 'DEWALT' (Fu=164 KSI, Fy=148 KSI)
DIRECTLY INTO HOLLOW OR GROUT FILLED BLOCKS
1-1/4" MIN. EMBED INTO BLOCKS

TYPE 'C' - #14 SMS OR SELF DRILLING SCREWS (GRADE 2 CRS)
INTO METAL STRUCTURES
(3) THREADS MIN. TO EXTEND BEYOND METAL THICKNESS
ALUMINUM : 1/8" THK. MIN. (6063-T5 MIN.)
STEEL : 1/8" THK. MIN. (Fy = 36 KSI MIN.)
(STEEL IN CONTACT WITH ALUMINUM TO BE PLATED OR PAINTED)

TYPICAL EDGE DISTANCE (UNLESS OTHERWISE NOTED)

INTO CONCRETE AND MASONRY = 2-1/2" MIN.
INTO WOOD STRUCTURE = 1" MIN.
INTO METAL STRUCTURE = 1/2" MIN.

WOOD AT HEAD, SILL OR JAMBS SG = 0.55 MIN.
CONCRETE AT HEAD, SILL OR JAMBS f'c = 3000 PSI MIN.
C-90 HOLLOW/FILLED BLOCK AT JAMBS f'm = 2000 PSI MIN.



ANCHORS DETAIL #1
METAL TO METAL CONNECTION

PRODUCT REVISED
as complying with the Florida
Building Code
NOA-No. 20-0610.10
Expiration Date 03/28/2023
By *[Signature]*
Miami-Dade Product Control

Revision: A) ADDED ULTRACON+
ANCHORS.
AK - 05/22/20

PREPARED BY A. LYNN MILLER 1070 TECHNOLOGY DRIVE N. VENICE, FL 34275 (941) 480-1600	REGISTRATION #29296	05/22/20	Rev.	A
	INSTALLATION DETAILS, ANCHORS	AGK	MD-MULCLP	
Impact Resistant Windows & Doors WE'RE STRONGER™ CGI DOORS AND WINDOWS, INC. 3780 W 104TH STREET HIALEAH, FL 33018 (305) 593-6590	CLIPPED MULLION	7 OF 7	DWG	
			NTS	
MULCLP			Scale	

