

SERIES 4130A IMPACT RESISTANT SLIDING GLASS DOOR

DESIGN PRESSURE RATING	IMPACT RATING
+55/-65 PSF	RATED FOR LARGE & SMALL MISSILE IMPACT RESISTANCE

- 1) THIS PRODUCT HAS BEEN DESIGNED & TESTED TO COMPLY WITH THE REQUIREMENTS OF THE CURRENT FLORIDA BUILDING CODE, INCLUDING THE HIGH VELOCITY HURRICANE ZONE (HVHZ).
- 2) SHUTTERS ARE NOT REQUIRED WHEN USED IN WIND-BORNE DEBRIS REGIONS.
- 3) MASONRY ANCHORS MAY BE USED INTO WOOD AS PER TABLE 1. ALL WOOD BUCKS LESS THAN 1-1/2" THICK ARE TO BE CONSIDERED 1X INSTALLATIONS. 1X WOOD BUCKS ARE OPTIONAL IF UNIT IS INSTALLED DIRECTLY TO SUBSTRATE. WOOD BUCKS DEPICTED AS 2X ARE 1-1/2" THICK OR GREATER. 1X AND 2X BUCKS (WHEN USED) SHALL BE DESIGNED TO PROPERLY TRANSFER LOADS TO THE STRUCTURE. WOOD BUCK DESIGN AND INSTALLATION IS THE RESPONSIBILITY OF THE ENGINEER OR ARCHITECT OF RECORD.
- 4) ANCHOR EMBEDMENT TO BASE MATERIAL SHALL BE BEYOND WALL DRESSING OR STUCCO. USE ANCHORS OF SUFFICIENT LENGTH. INSTALLATION ANCHORS SHOULD BE SEALED. OVERALL SEALING/FLASHING STRATEGY FOR WATER RESISTANCE OF INSTALLATION SHALL BE DONE BY OTHERS AND IS BEYOND THE SCOPE OF THESE INSTRUCTIONS.
- 5) SHIMS ARE REQUIRED AT EACH FLANGE ANCHOR LOCATION WHERE THE PRODUCT IS NOT FLUSH TO THE SUBSTRATE. USE SHIMS CAPABLE OF TRANSFERRING APPLIED LOADS. WOOD BUCKS, BY OTHERS, MUST BE SUFFICIENTLY ANCHORED TO RESIST LOADS IMPOSED ON THEM BY THE DOOR.
- 6) THE ANCHORAGE METHODS SHOWN HAVE BEEN DESIGNED TO RESIST THE WIND LOADS CORRESPONDING TO THE REQUIRED DESIGN PRESSURE. THE 33-1/3% STRESS INCREASE HAS NOT BEEN USED IN THE DESIGN OF THIS PRODUCT. THE 1.6 LOAD DURATION FACTOR WAS USED FOR THE EVALUATION OF ANCHORS INTO WOOD. ANCHORS THAT COME INTO CONTACT WITH OTHER DISSIMILAR MATERIALS SHALL MEET THE REQUIREMENTS OF THE FLORIDA BUILDING CODE FOR CORROSION RESISTANCE.

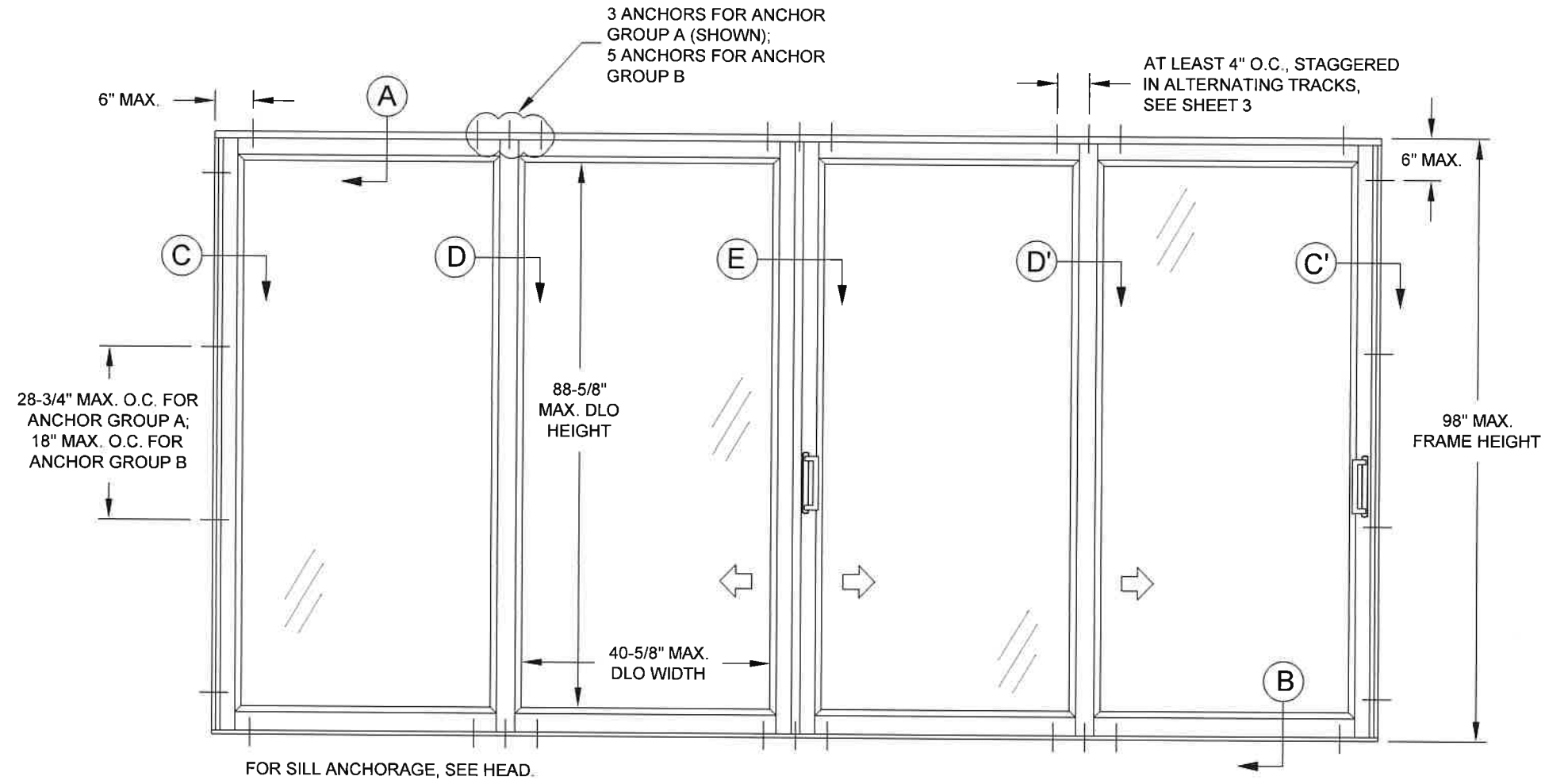


TABLE 1:

Anchor Group	Anchor	Substrate	Minimum Edge Distance	Minimum Embedment
A	#12 SMS Screw (G5); Steel, 18-8 SS or 410 SS	Southern Pine (SG = .55)	9/16"	1-3/8"
		Aluminum, 6063-T5 min.	3/8"	1/8"
		Steel Stud, 16 Ga., Gr. 33 min.	3/8"	0.0566"
		A36 Steel	3/8"	0.050"
	1/4" steel Ultracon	Concrete (min. 2.9 ksi)	2-1/2"	1-3/8"
		UngROUTED CMU, (ASTM C-90)	2-1/2"	1-1/4"
1/4" 410 SS CreteFlex	Southern Pine (SG = .55)	1"	1-3/8"	
	Concrete (min. 3.35 ksi)	2-1/2"	1-3/4"	
	UngROUTED CMU, (ASTM C-90)	2-1/2"	1-1/4"	
	Southern Pine (SG = .55)	1"	1-3/8"	
B	1/4" steel Ultracon	Concrete (min. 2.85 ksi)	1"	1-3/8"
		UngROUTED CMU, (ASTM C-90)	1"	1-1/4"
	1/4" 410 SS CreteFlex	Concrete (min. 3.35 ksi)	1"	1-3/4"
		UngROUTED CMU, (ASTM C-90)	1-1/4"	1-1/4"

- 1) ANCHOR MUST EXTEND A MINIMUM OF 3 THREADS BEYOND ANY METAL SUBSTRATE.
- 2) "UNGRouted CMU" VALUES MAY BE USED FOR GROUT-FILLED CMU APPLICATIONS.
- 3) ANY ANCHOR HEAD TYPE IS APPLICABLE.

TYP. ANCHOR LOCATIONS

4 PANEL, 2 TRACK BYPASS OXXX CONFIGURATION SHOWN.

UNLIMITED NUMBER OF PANELS IN ANY 2-TRACK OR 3-TRACK CONFIGURATION USING VERTICAL CONDITIONS SHOWN ON SHEET 2 ARE APPROVED AS LONG AS THE PANEL DLO WIDTH DOES NOT EXCEED THE TESTED DLO WIDTH OF 40-5/8" AND THE TESTED FRAME HEIGHT OF 98" IS NOT EXCEEDED.

ADDITIONALLY, FOR INSTALLATIONS IN THE HVHZ, MAXIMUM FRAME AREA OF 194.6 SQUARE FEET MAY NOT BE EXCEEDED.

Title: ALUMINUM SLIDING GLASS DOOR FPA		Drawn By: J ROSOWSKI	
Description: GENERAL NOTES & ELEVATION		Date: 04/15/19	
Revision:		Rev. By: Rev. Date:	
Series/Model: SGD-4130A	Scale: NTS	Sheet: 1 OF 4	Drawing No. SGD4130FLPA
		Rev: N/A	

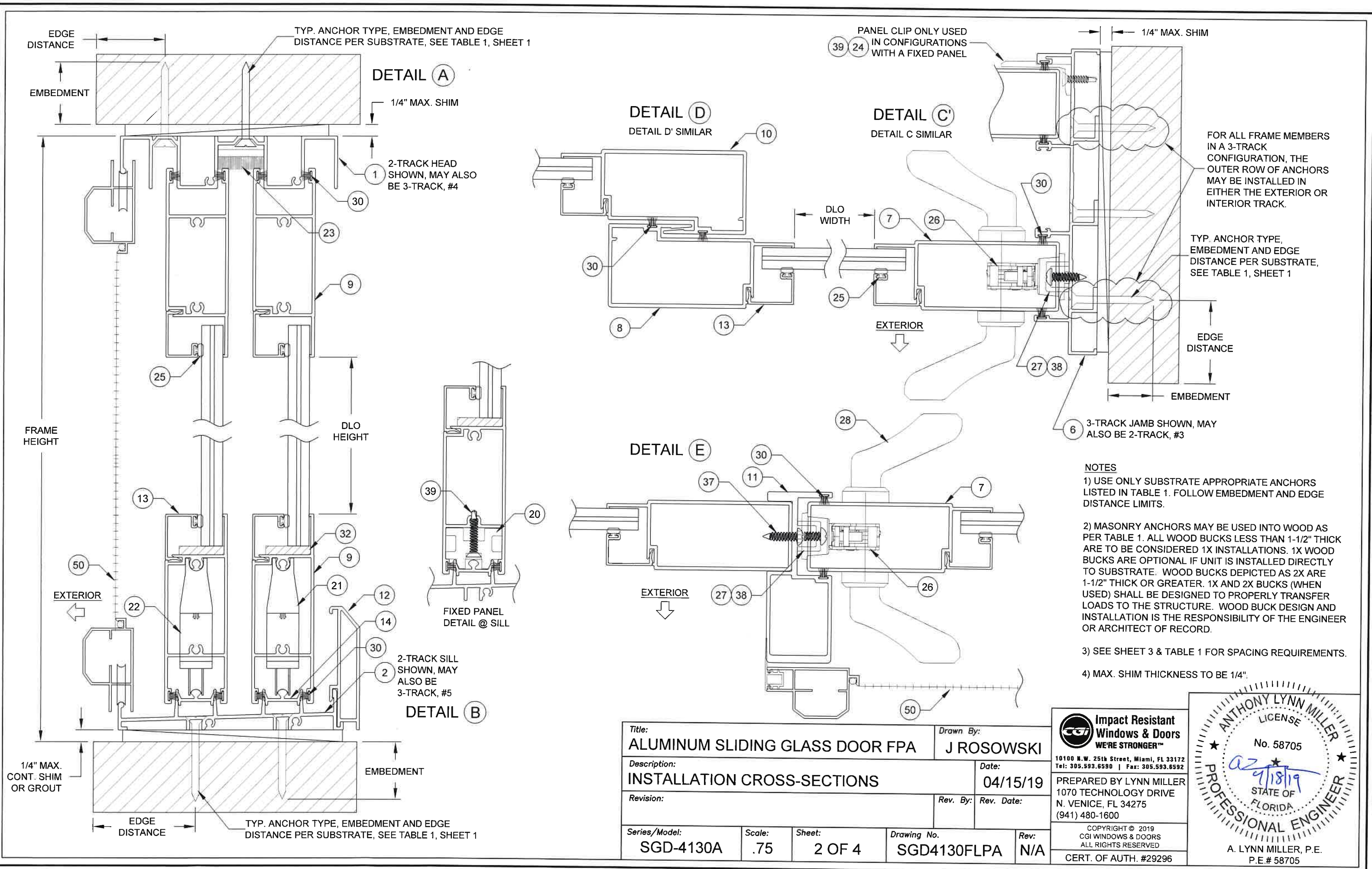
Impact Resistant Windows & Doors
WE'RE STRONGER™

3780 W. 104th Street, Hialeah, FL 33018
Tel: 305.593.6590 | Fax: 305.593.6592

PREPARED BY LYNN MILLER
1070 TECHNOLOGY DRIVE
N. VENICE, FL 34275
(941) 480-1600

COPYRIGHT © 2019
CGI WINDOWS & DOORS
ALL RIGHTS RESERVED
CERT. OF AUTH. #29296

ANTHONY LYNN MILLER
LICENSE
No. 58705
9/18/19
STATE OF FLORIDA
PROFESSIONAL ENGINEER
A. LYNN MILLER, P.E.
P.E.# 58705



DETAIL A

DETAIL D
DETAIL D' SIMILAR

DETAIL C'
DETAIL C SIMILAR

DETAIL E

DETAIL B

FIXED PANEL DETAIL @ SILL

- NOTES**
- 1) USE ONLY SUBSTRATE APPROPRIATE ANCHORS LISTED IN TABLE 1. FOLLOW EMBEDMENT AND EDGE DISTANCE LIMITS.
 - 2) MASONRY ANCHORS MAY BE USED INTO WOOD AS PER TABLE 1. ALL WOOD BUCKS LESS THAN 1-1/2" THICK ARE TO BE CONSIDERED 1X INSTALLATIONS. 1X WOOD BUCKS ARE OPTIONAL IF UNIT IS INSTALLED DIRECTLY TO SUBSTRATE. WOOD BUCKS DEPICTED AS 2X ARE 1-1/2" THICK OR GREATER. 1X AND 2X BUCKS (WHEN USED) SHALL BE DESIGNED TO PROPERLY TRANSFER LOADS TO THE STRUCTURE. WOOD BUCK DESIGN AND INSTALLATION IS THE RESPONSIBILITY OF THE ENGINEER OR ARCHITECT OF RECORD.
 - 3) SEE SHEET 3 & TABLE 1 FOR SPACING REQUIREMENTS.
 - 4) MAX. SHIM THICKNESS TO BE 1/4".

Title: ALUMINUM SLIDING GLASS DOOR FPA		Drawn By: J ROSOWSKI	
Description: INSTALLATION CROSS-SECTIONS		Date: 04/15/19	
Revision:		Rev. By: Rev. Date:	
Series/Model: SGD-4130A	Scale: .75	Sheet: 2 OF 4	Drawing No. SGD4130FLPA
		Rev: N/A	

Impact Resistant Windows & Doors
WE'RE STRONGER™

10100 N.W. 25th Street, Miami, FL 33172
Tel: 305.593.6590 | Fax: 305.593.6592

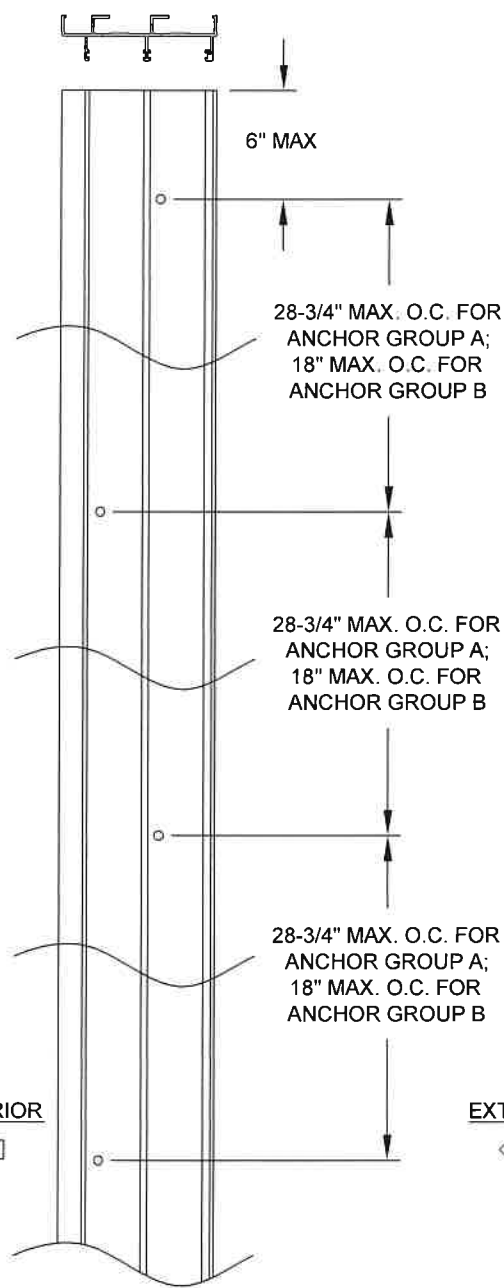
PREPARED BY LYNN MILLER
1070 TECHNOLOGY DRIVE
N. VENICE, FL 34275
(941) 480-1600

COPYRIGHT © 2019
CGI WINDOWS & DOORS
ALL RIGHTS RESERVED

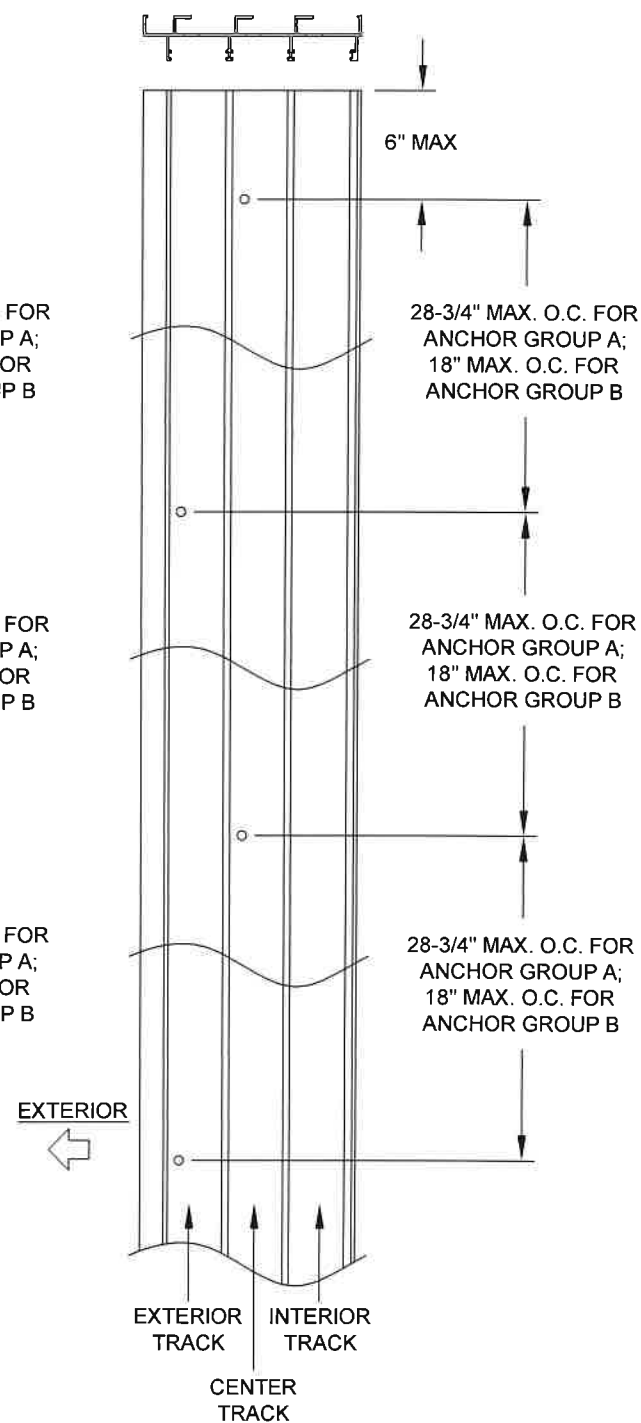
CERT. OF AUTH. #29296

ANTHONY LYNN MILLER
LICENSE
No. 58705
9/18/19
STATE OF FLORIDA
PROFESSIONAL ENGINEER
A. LYNN MILLER, P.E.
P.E.# 58705

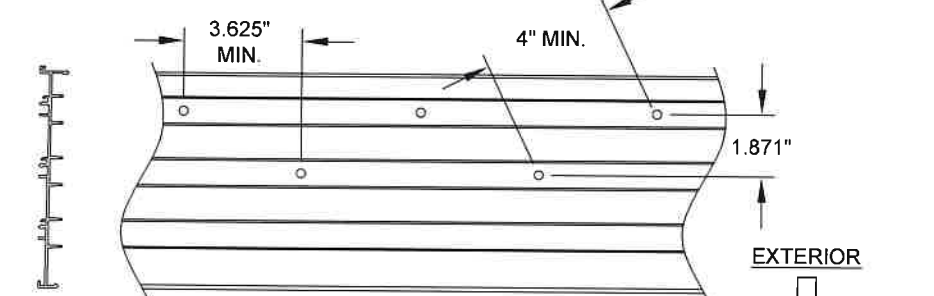
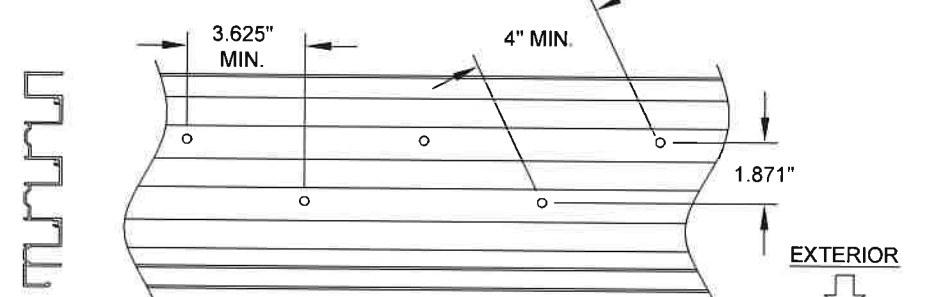
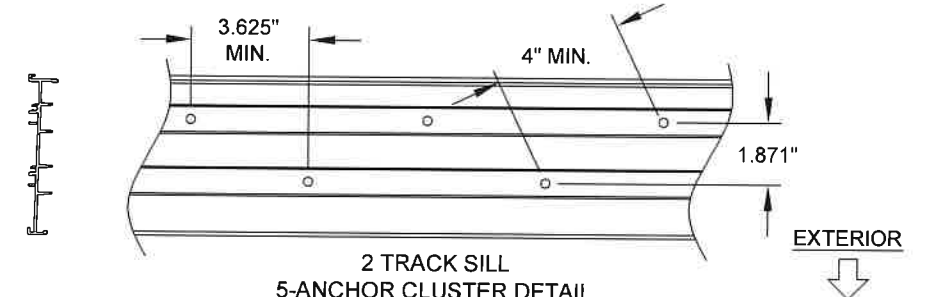
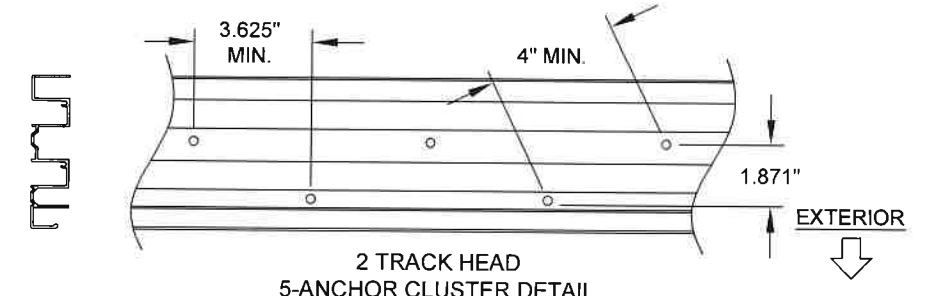
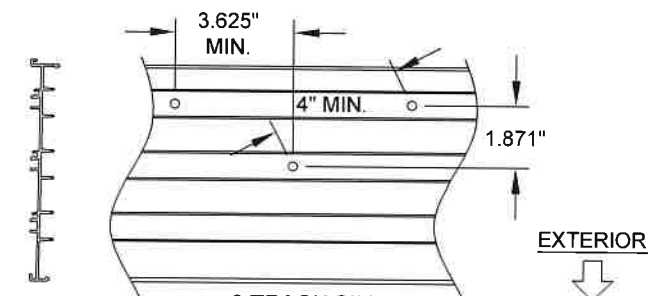
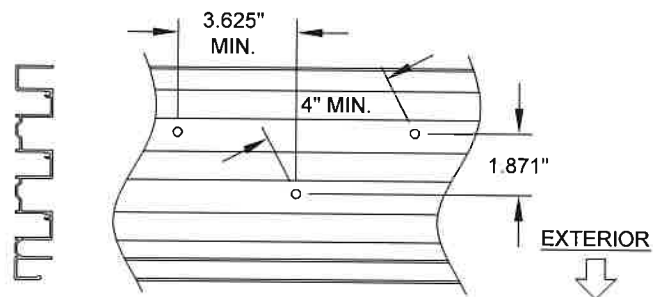
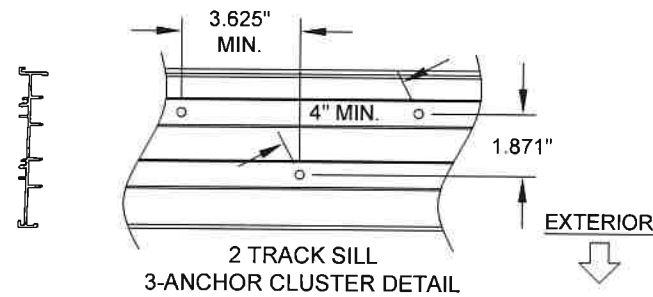
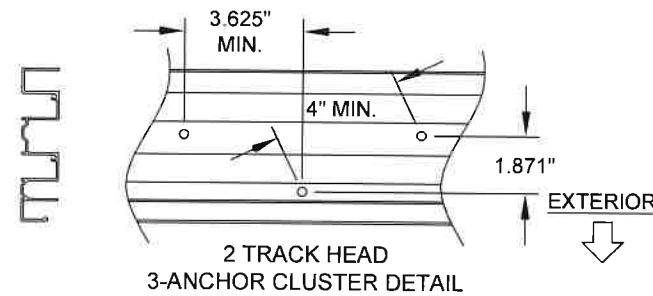
2 TRACK JAMB ANCHOR DETAIL



3 TRACK JAMB ANCHOR DETAIL



NOTE 1) FOR ALL FRAME MEMBERS IN A 3-TRACK CONFIGURATION, THE OUTER ROW OF ANCHORS MAY BE INSTALLED IN EITHER THE EXTERIOR OR INTERIOR TRACK.



Title: ALUMINUM SLIDING GLASS DOOR FPA		Drawn By: J ROSOWSKI	
Description: INSTALLATION ANCHOR HOLE LOCATIONS		Date: 04/15/19	
Revision:		Rev. By: Rev. Date:	
Series/Model: SGD-4130A	Scale: NTS	Sheet: 3 OF 4	Drawing No.: SGD4130FLPA
		Rev: N/A	

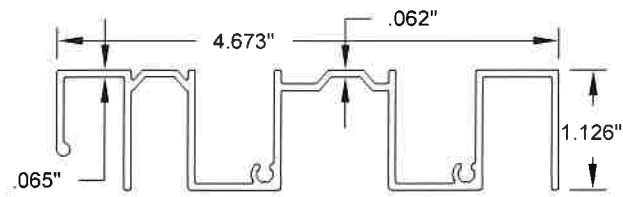
Impact Resistant Windows & Doors
WE'RE STRONGER™

10100 N.W. 25th Street, Miami, FL 33172
Tel: 305.593.6590 | Fax: 305.593.6592

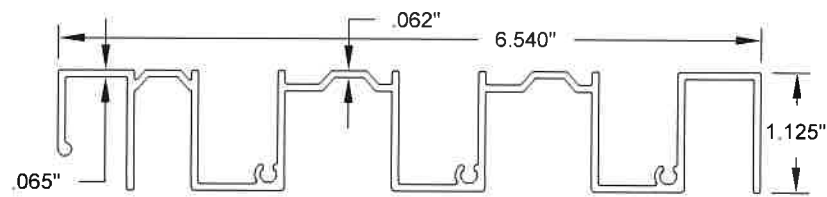
PREPARED BY LYNN MILLER
1070 TECHNOLOGY DRIVE
N. VENICE, FL 34275
(941) 480-1600

COPYRIGHT © 2019
CGI WINDOWS & DOORS
ALL RIGHTS RESERVED
CERT. OF AUTH. #29296

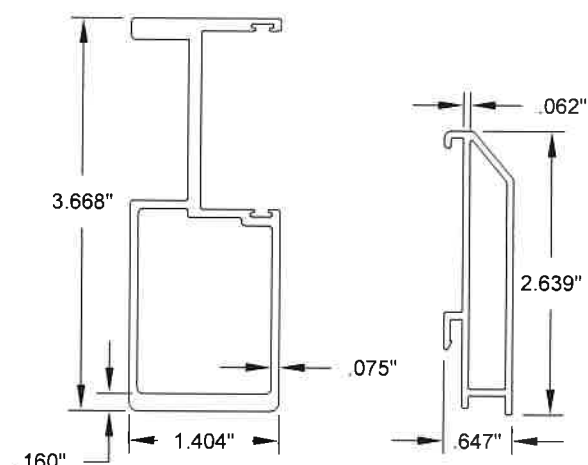
ANTHONY LYNN MILLER
LICENSE
No. 58705
9/18/19
STATE OF FLORIDA
PROFESSIONAL ENGINEER
A. LYNN MILLER, P.E.
P.E.# 58705



1 2-TRACK HEAD

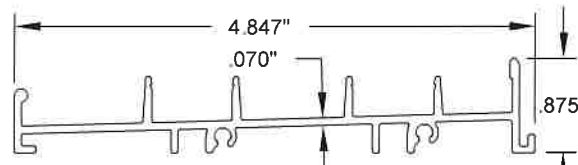


4 3-TRACK HEAD

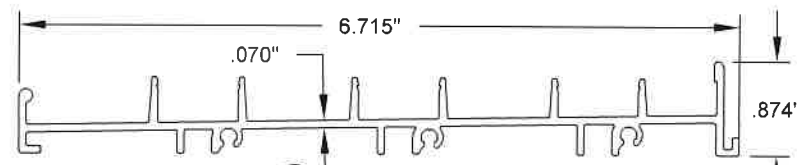


11 ASTRAGAL

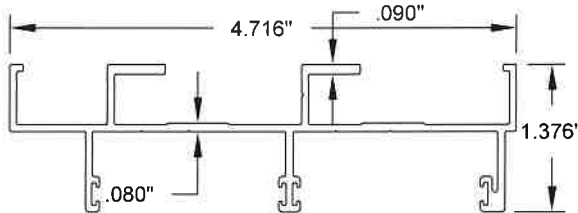
12 WATERBAR ADAPTER



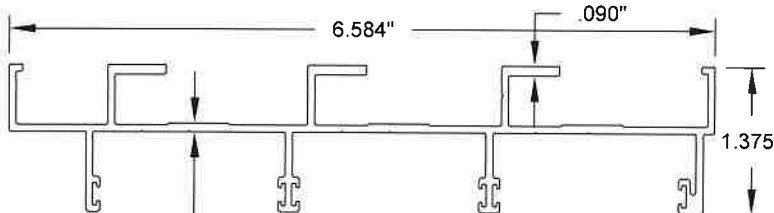
2 2-TRACK SILL



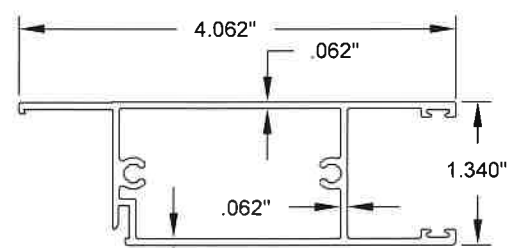
5 3-TRACK SILL



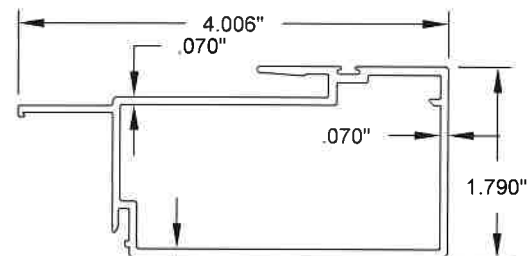
3 2-TRACK JAMB



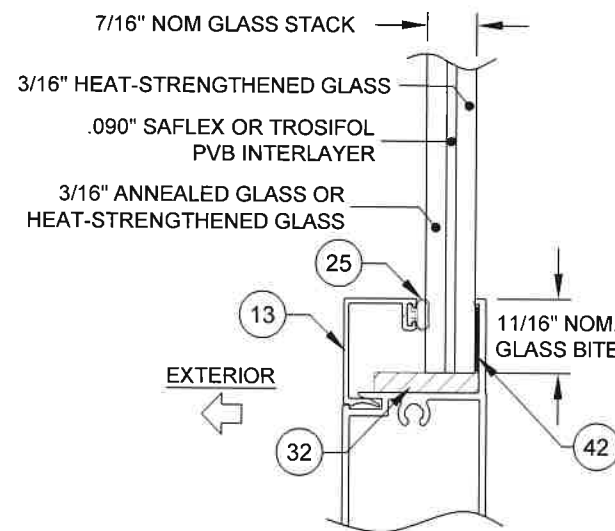
6 3-TRACK JAMB



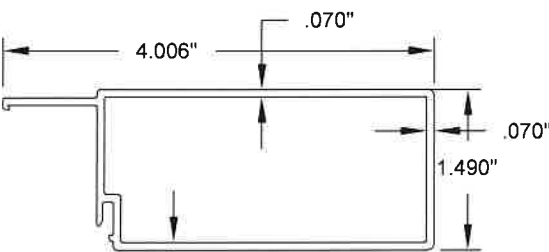
7 VERTICAL STILE



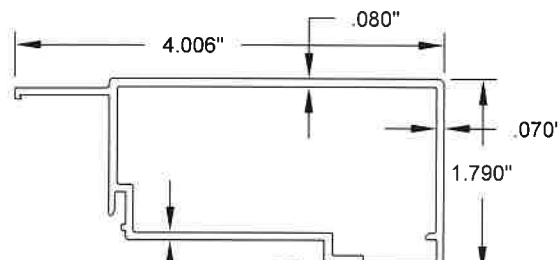
8 EXTERIOR INTERLOCK



TYP. GLAZING DETAIL



9 HORIZONTAL RAIL



10 INTERIOR INTERLOCK

Item	Part #	Description	Mat.
1	AL-1140	2-Track Frame Head	6063-T6
2	AL-1142	2-Track Frame Sill	6063-T6
3	AL-1141	2-Track Frame Jamb	6063-T6
4	AL-1143	3-Track Frame Head	6063-T6
5	AL-1145	3-Track Frame Sill	6063-T6
6	AL-1144	3-Track Frame Jamb	6063-T6
7	AL-1147	Vertical Stile	6063-T6
8	AL-1148	Exterior Interlock	6063-T6
9	AL-1150	Horizontal Rail	6063-T6
10	AL-1149	Interior Interlock	6063-T6
11	AL-1151	Astragal	6063-T6
12	AL-1146	Waterbar Adaptor	6063-T6
13	AL-1152	7/16" Laminated Glazing Bead	6063-T6
14	AL-1153	Roller Track	6063-T6
20	HD-77-10244	Fixed Panel Shim	
21	HD-77-10245	Roller Shim	
22	HD-77-10249	Tandem Rollers	
23	HD-77-10246	Anti Lift - Air Pad	
24		Fixed Panel Clip	6063-T6
25	WS-382V	Glazing Bulb .187" X .200"	PVC
26		Lock	
27		Keeper - KIT	
28		Handle Set - KIT	
29		Recessed Handle	
30	64066G	Weatherstrip .187" X .230" Fin Seal	
31	HD-77-10251	.95" X 2" X .36" (Anti-Lift & Sill) Plug	
32	PGT 71828K	1/2" X 4" X 1/8" Setting Block	
33	204-W	Bumper	PVC
34		7/16" Adjustment Screw Cover	
35		#8 X 1" Pan Phil A (Assembly)	410SS
36		#10-16 X 1-1/4" Pan Phil Tek	410SS
37		#10 X 5/8" Pan Phil AB (Astragal)	410SS
38		#10 X 1" Pan PH TEK 410 SS (Keeper)	410SS
39		#8 X 3/4" Flat Phil Tek (O-panel)	410SS
40		#10-32 X 3/4" Flat (Undercut) Ph	410SS
41	HD-77-10252	.810" X 1-3/16" X .690" (Top/Bot Rail) Plug	
42		Dow 791, 983 or RGS 7700	Sealant
50		Screen Assembly	varies

Title: ALUMINUM SLIDING GLASS DOOR FPA		Drawn By: J ROSOWSKI	
Description: EXTRUSIONS AND BOM		Date: 04/15/19	
Revision:		Rev. By: Rev. Date:	
Series/Model: SGD-4130A	Scale: .75	Sheet: 4 OF 4	Drawing No. SGD4130FLPA
		Rev: N/A	

Impact Resistant Windows & Doors
WE'RE STRONGER™

10100 N.W. 25th Street, Miami, FL 33172
Tel: 305.593.6590 | Fax: 305.593.6592

PREPARED BY LYNN MILLER
1070 TECHNOLOGY DRIVE
N. VENICE, FL 34275
(941) 480-1600

COPYRIGHT © 2019
CGI WINDOWS & DOORS
ALL RIGHTS RESERVED
CERT. OF AUTH. #29296

ANTHONY LYNN MILLER
LICENSE
No. 58705

PROFESSIONAL ENGINEER
STATE OF FLORIDA

A. LYNN MILLER, P.E.
P.E.# 58705